



HDMI 4x1 Switcher with Multiview SH41-200MV



User Manual Ver 2.0

Thank you for purchasing this product

For optimum performance and safety, please read these instructions carefully before connecting, operating or adjusting this product. Please keep this manual for future reference.

Surge protection device recommended

This product contains sensitive electrical components that may be damaged by electrical spikes, surges, electric shock, lighting strikes, etc. Use of surge protection systems is highly recommended in order to protect and extend the life of your equipment.

Table of Contents

1. Introduction.....	1
2. Features.....	1
3. Packing List.....	1
4. Specifications.....	2
5. Controls and Functions.....	3
6. Application Diagram.....	4
7. IR Remote.....	5
8. EDID Settings.....	6
9. Video & Audio.....	6
10. Multiview.....	7
11. OSD Menu Navigation.....	7
12. RS-232 Commands.....	9

Introduction

The SH41-200MV is a 4K60 4x1 Multiviewer and seamless UHD video switcher which was developed for the purpose of supporting higher output resolutions such as 4K@60 for multiple sources on a single screen. It can combine up to four video signals onto a single UHD or HD display. This device supports a full range of input video resolutions up to 4K@60 as well as audio extraction via RCA or S/PDIF optical for external audio distribution systems.

This device can be controlled via front panel buttons, IR remote, RS-232 commands. Users can easily manage each input via control software and create various layouts and positions for any of the four inputs on a single monitor.

Features

- HDMI 2.0b, HDCP 2.2 and HDCP 1.x compliant
- 18Gbps video bandwidth
- Input and output resolutions up to 4K@60Hz
- LPCM, AC3, DD+, DTS, DTS-HD, up to 7.1 audio channel
- Seamless switching between input channels and combine multiple images on a single UHD monitor
- Up to 8 display modes: SINGLE, PIP, PBP (1), PBP (2), Triple (1), Triple (2), Quad (1), Quad (2)
- Seamless switching on single screen display mode
- Fast switching on multiview display mode
- Audio de-embedding via analog and optical fiber audio ports
- Volume control and independent audio selection
- OSD navigation for advanced settings
- EDID management
- Control via front panel buttons, IR remote, RS-232 commands
- Compact design for easy and flexible installation

Packing List

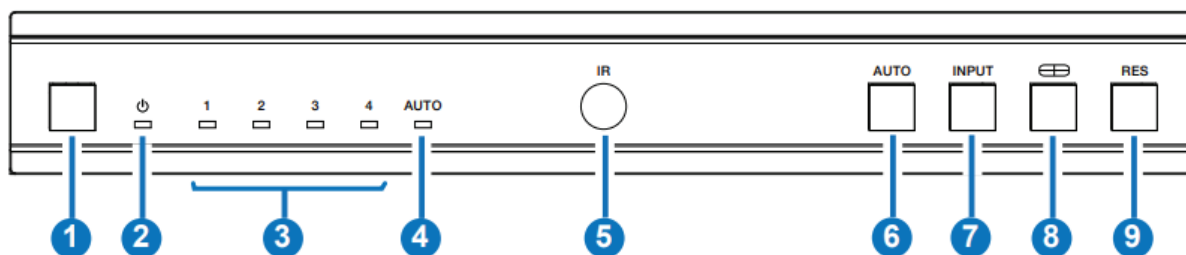
- 1x 4K60 4x1 UHD Video Switcher
- 1x IR Remote
- 1x 3 pin-3.81mm Phoenix Connector (male)
- 1x 38KHz IR Receiver Cable (1.5m)
- 4 x Rubber Feet
- 2x Mounting Ears
- 1x 12V/1A Power Adapter
- 4x Machine Screws (KM3*4)
- 1x User Manual

Specifications

Technical	
HDMI Compliance	HDMI 2.0b
HDCP Compliance	HDCP 2.2 / 1.x
Video Bandwidth	18Gbps
Video Resolution	Up to 4K@60Hz
IR Level	5Vp-p
IR Frequency	38KHz
Color Space	RGB, YCbCr 4:4:4, YCbCr 4:2:2, YCbCr 4:2:0
Color Depth	8bit
Audio Formats	HDMI: PCM2.0/5.1/7.1CH, Dolby Digital/Plus, DTS, DTS High Res Analog audio [3.5mm L/R]: PCM2.0; SPDIF (OPTICAL): Dolby Digital, DTS 5.1, PCM2.0. Note: It does not support HBR audio.
ESD Protection	Human body model — ±8kV (Air-gap discharge) & ±4kV (Contact discharge)
Connection	
Input ports	4 x HDMI IN [Type A, 19-pin female]
Output ports	1 x HDMI OUT [Type A, 19-pin female] 1 x L/R OUTPUT [RCA] 1 x OPTICAL OUTPUT [S/PDIF]
Control ports	1 x RS-232 [3 pin-3.81mm phoenix connector] 1 x IR EXT [3.5mm Stereo Mini-jack]
Mechanical	
Housing	Metal Enclosure
Color	Black
Dimensions	220mm [W] x 100mm [D] x 30mm [H]
Weight	620g
Power Supply	Input: AC 100 - 240V 50/60Hz Output: DC 12V/2.5A (US/EU standard, CE/FCC/UL certified)
Power Consumption	10W (Max)
Operating Temperature	32 - 104°F / 0 - 40°C
Storage Temperature	-4 - 140°F / -20 - 60°C
Relative Humidity	20 - 90% RH (no-condensing)

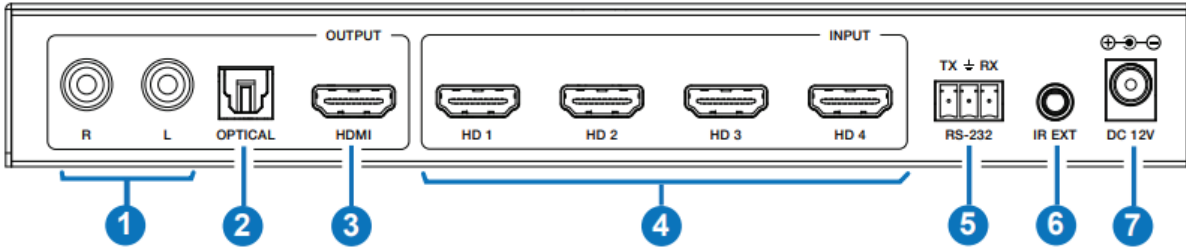
Controls and Functions

Front Panel



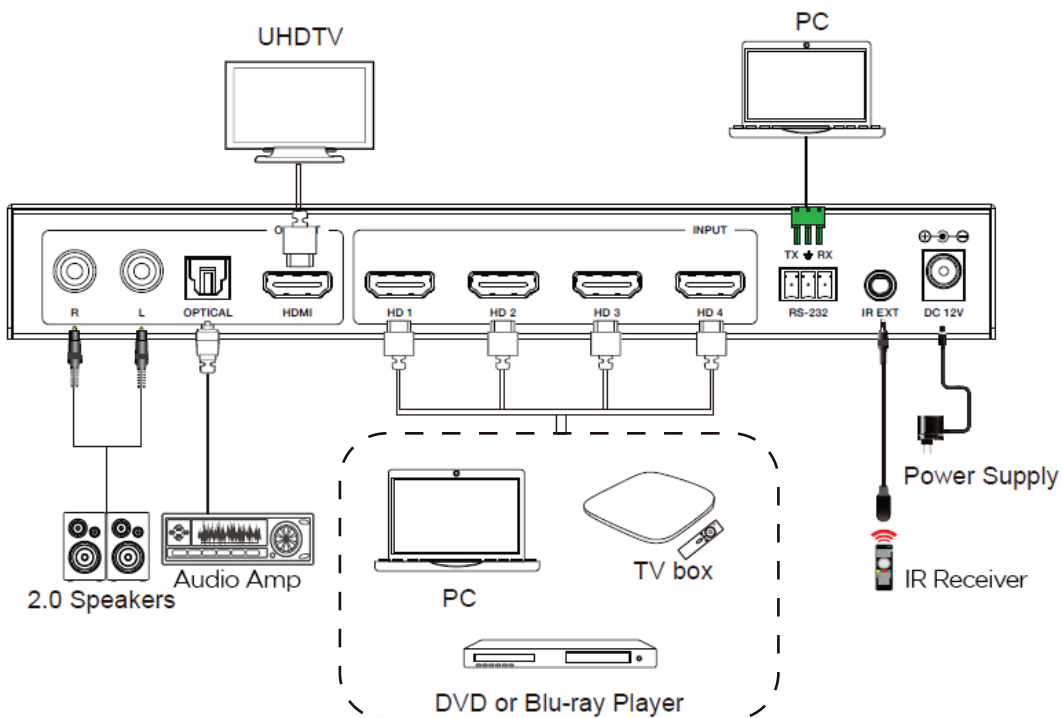
No.	Name	Function Description
1	Power button	<ul style="list-style-type: none"> Short press this button to power on the device. Long press this button for 1 second to enter standby mode.
2	Power LED	The Power LED will illuminate green when the product is powered on, and red when the product is on standby.
3	Input 1-4 LEDs	Input signal indicator lights. When the HD 1/2/3/4 port connects to an active source device, the corresponding green LED will illuminate. Note: Only the LED of the selected input channel will illuminate green during single screen display mode; all LEDs will illuminate green in multiview mode.
4	AUTO LED	When the device is set to AUTO mode, the AUTO LED will illuminate green, and the HDMI will be automatically identified, that is, when the currently displayed source signal is disconnected, the switcher will automatically identify the next connected HDMI input port.
5	IR Window	IR signal receiving window.
6	AUTO button	Automatic switching button, only available on single screen display mode.
7	INPUT button	Input source switching button, only available on single screen display mode.
8	Multiview button	<p>Multiview display mode switching button.</p> <ul style="list-style-type: none"> Short press this button to cycle select: SINGLE - PIP - PBP (1) - PBP (2) - Triple (1) - Triple (2) - Quad (1) - Quad (2). Long press this button for 3 seconds to select the aspect ratio for PBP (1) / PBP (2) / Triple (1) / Triple (2) / Quad (1) / Quad (2).
9	RES button	<p>Output resolution switching button.</p> <ul style="list-style-type: none"> Short press the RES button to cycle switch the output resolution of the HDMI OUTPUT port (Please refer to the output resolution list in the "Video & Audio" section of this manual). Long press the RES button for 3 seconds to switch the output resolution to 720P60.

Rear Panel

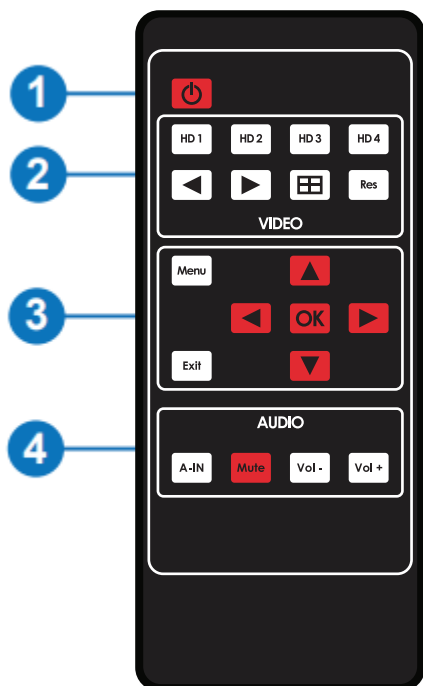


No.	Name	Function Description
1	L/R port	PCM 2.0 Analog audio output port.
2	OPTICAL port	Optical fiber digital audio output port.
3	HDMI OUTPUT port	Connect to an HDMI display device such as a TV or Monitor with an HDMI cable.
4	HD 1-4 INPUT ports	Connect to HDMI source device such as Game Consoles or Set-top boxes with HDMI cables.
5	RS-232 port	3-pin phoenix connector, connected to a PC or control system for serial port upgrade or RS-232 command control.
6	IR EXT port	If the IR signal receiving window of the unit is blocked or the unit is installed in a closed area out of infrared line of sight, the IR receiver cable can be inserted to the "IR EXT" port to receive the IR remote signal.
7	DC 12V	DC 12V/1A power input port.

Application Diagram



IR Remote



1. Power on or Standby: Press this button to power on the switcher or set it to standby mode.

2. HD 1/2/3/4: Press these buttons to select the input source on single screen display modes and the corresponding input LED on the front panel will illuminate green.

◀ ▶ : Press these buttons to cycle select the last or next input source on single screen display mode.

⊞ : Multiview display mode switching button.

- Short press this button to cycle select: SINGLE - PIP - PBP (1) - PBP (2) - Triple (1) - Triple (2) - Quad (1) - Quad (2).

- Long press this button for 3 seconds to select the aspect ratio for PBP (1) / PBP (2) / Triple (1) / Triple (2) / Quad (1) / Quad (2).

Res : Output resolution switching button.

- Short press the RES button to cycle switch the output resolution of the HDMI OUTPUT port (Please refer to the output resolution list in the “Video & Audio” section).
- Long press the RES button for 3 seconds to switch the output resolution to 720P60.

3. MENU, EXIT, LEFT, RIGHT, UP, DOWN, OK: OSD Menu navigation buttons.

4. A-IN: Press this button to pop up the audio channel selection OSD, then press the UP / DOWN button to select the audio output channel. (The output audio follows the video source by default.)

Mute: Press this button to mute / unmute the audio.

VOL-, VOL+: Press these buttons to increase / decrease the audio output volume.

EDID Settings

User can select the following EDID modes via RS-232 command or OSD menu navigation.

No.	EDID Mode	No.	EDID Mode
1	4K60-2.0CH	10	1920x1200-2.0CH
2	4K60-5.1CH	11	1680x1050-2.0CH
3	4K60-7.1CH	12	1600x1200-2.0CH
4	4K30-2.0CH	13	1440x900-2.0CH
5	4K30-5.1CH	14	1360x768-2.0CH
6	4K30-7.1CH	15	1280x1024-2.0CH
7	1080P-2.0CH	16	1024x768-2.0CH
8	1080P-5.1CH	17	720P-2.0CH
9	1080P-7.1CH	18	AUTO

Video & Audio

The switcher supports multiple resolutions up to 3840x2160@60 and supports multiple audio formats such as LPCM, AC3, DD+, DTS, DTS HD, up to 7.1 channel pass through functionality via HDMI cables.

User can control the volume of audio in LPCM format.

The switcher supports following video output resolutions via a powerful scaling engine.

No.	Output Resolution	No.	Output Resolution
1	4096x2160p 60Hz	8	1920x1080p 60Hz
2	4096x2160p 50Hz	9	1920x1080p 50Hz
3	3840x2160p 60Hz	10	1360x768p 60Hz
4	3840x2160p 50Hz	11	1280x800p 60Hz
5	3840x2160p 30Hz	12	1280x720p 60Hz
6	3840x2160p 25Hz	13	1280x720p 50Hz
7	1920x1200p 60Hz RB	14	1024x768 60Hz

Multiview

The switcher supports 8 different multiview display modes: SINGLE, PIP, PBP (1), PBP (2), Triple (1), Triple (2), Quad (1), Quad (2)

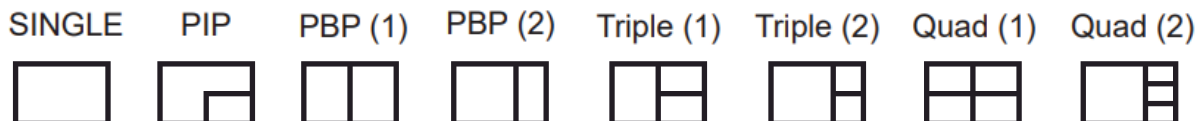
Users can select different operations for different Multiview modes as follows:

SINGLE: Inputs selection

PIP: Inputs selection, Sub window size and position selection

PBP (1), PBP (2), Triple (1), Triple (2), Quad (1), Quad (2): Inputs selection, Display mode selection, Display aspect selection

Multiview window modes are as follows:



User can select Multiview modes via RS-232 commands or OSD menu navigation.

OSD Menu Navigation

1. A total of seven buttons on the IR Remote are used for OSD menu navigation, including MENU, EXIT, UP, DOWN, LEFT, RIGHT, OK.

Menu contents are as follows:

Output	Resolution	3840x2160p60	4096x2160p 60Hz/ 4096x2160p 50Hz/ 3840x2160p 60Hz/ 3840x2160p 50Hz/ 3840x2160p 30Hz/ 3840x2160p 25Hz/ 1920x1200p60Hz RB/ 1920x1080p 60Hz/ 1920x1080p 50Hz/ 1360x768p 60Hz/ 1280x800p 60Hz/ 1280x720p 60Hz/ 1280x720p 50Hz/ 1024x768 60Hz
	VKA	BLACKSCREEN	BLACKSCREEN, BLUESCREEN
	ITC	OFF	ON,OFF
Multiview	Single	Input select	HDMI1,HDMI2,HDMI3,HDMI4
	PIP	Win1 Select	HDMI1,HDMI2,HDMI3,HDMI4
		Win2 Select	HDMI1,HDMI2,HDMI3,HDMI4
		PIP Position	Right Bottom,Right Top, Left Bottom,Left Top
		PIP Size	S small,Middle,Large
	PBP	Win1 Select	HDMI1,HDMI2,HDMI3,HDMI4
		Win2 Select	HDMI1,HDMI2,HDMI3,HDMI4
		MODE	1, 2
Aspect		Full, 16:9	

Multiview	3xWIN	Win1 Select	HDMI1,HDMI2,HDMI3,HDMI4
		Win2 Select	HDMI1,HDMI2,HDMI3,HDMI4
		Win3 Select	HDMI1,HDMI2,HDMI3,HDMI4
		MODE	1, 2
		Aspect	Full, 16:9
	4xWIN	Win1 Select	HDMI1,HDMI2,HDMI3,HDMI4
		Win2 Select	HDMI1,HDMI2,HDMI3,HDMI4
		Win3 Select	HDMI1,HDMI2,HDMI3,HDMI4
		Win4 Select	HDMI1,HDMI2,HDMI3,HDMI4
		MODE	1, 2
		Aspect	Full,16:9
AUDIO	Audio Select	WIN1	WIN1,HDMI1,HDMI2,HDMI3, HDMI4
	Volume	100	0..100
	AUDIO-MUTE	OFF	ON, OFF
System	Language	中文	English, 中文
	EDID	4K60-2.0	4K60-2.0,4K60-5.1CH, 4K60-7.1CH,4K30-2.0CH, 4K30-5.1CH,4K30-7.1CH, 1080P-2.0CH,1080P-5.1CH, 1080P-7.1CH,1920x1200- 2.0CH,1680x1050-2.0CH, 1600x1200-2.0CH,1440x900 -2.0CH, 1360x768-2.0CH, 1280x1024-2.0CH, 1024x 768-2.0CH,720P-2.0CH, AUTO
	Baud rate	115200	115200,57600,38400, 19200,9600
	Reset	Reset	Reset
	FW Version		Read only

2. A total of four buttons on the IR Remote are used for audio settings on OSD menu navigation, including A-IN, Mute, VOL-, VOL+.

Menu contents are as follows:

A-IN	Audio Input	WIN1	WIN1,HDMI1,HDMI2,HDMI3, HDMI4
Mute	Audio Mute	OFF	ON, OFF
VOL-/VOL+	Audio Volume	100	0..100

RS-232 Commands

The SH41-200MV supports RS-232 command control. Connect the RS-232 port of the product to a PC with a 3-pin phoenix connector cable. Then, open a Serial Command tool on PC to send ASCII commands to control the product. The ASCII command list is shown below.

ASCII Commands
Serial port protocol. Baud rate: 115200 (default), 57600, 38400, 19200, 9600; Data bits: 8bit; S top bits:1; Check bit: 0
x - Parameter 1; y - Parameter 2; ! - Delimiter

Command Code	Function Description	Example	Feedback
System Setting			
help!	List all commands	help!	
r type!	Get device model	r type!	4x1 HDMI Multiviewer
r fw version!	Get Firmware version	r fw version!	MCU FW version x.xx.xx SCALER FW version x.xx.xx
power z!	Power on/off the device,z=0~1 (z=0 power off, z=1 power on)	power 1!	Power on System Initializing... Initialization Finished! MCU FW version x.xx.xx SCALER FW version x.xx.xx
r power!	Get current power state	r power!	power on/power off
reboot!	Reboot the device	reboot!	Reboot... System Initializing... Initialization Finished! MCU FW version x.xx.xx SCALER FW version x.xx.xx
reset!	Reset to factory defaults	reset!	Reset to factory defaults System Initializing... Initialization Finished! MCU FW version x.xx.xx SCALER FW version x.xx.xx
Output Setting			
s output res x!	Set Output Resolution (x=1~14) 1. 4096x2160p60, 2. 4096x2160p50, 3. 3840x2160p60, 4. 3840x2160p50, 5. 3840x2160p30, 6. 3840x2160p25, 7. 1920x1200p60RB, 8. 1920x1080p60, 9. 1920x1080p50, 10.1360x768p60, 11.1280x800p60, 12.1280x720p60, 13.1280x720p50, 14. 1024x768p60,	s output res 3!	out resolution: 3840x2160p60
r output res!	Get output resolution	r output res!	out resolution: 3840x2160p60

Command Code	Function Description	Example	Feedback
s output hdcp x!	set output hdcp (x=1~3) 1. HDCP 1.4 2. HDCP 2.2 3. HDCP OFF	s output hdcp 2!	output HDCP: HDCP 1.4
r output hdcp!	Get output hdcp status.	r output hdcp!	output HDCP: HDCP 1.4
s output vka x!	Set output video keep active pattern. (x=1~2) 1. black screen 2. blue screen	s output vka 1!	output VKA pattern: black screen
r output vka!	Get output video keep active pattern.	r output vka!	output VKA pattern: black screen
s output itc x!	Set output video mode (x=1~2) 1: video mode 2: pc mode	s output itc 1!	output ITC: video mode
r output itc!	Get output video mode	r output itc!	output ITC: video mode
EDID Setting			
s input EDID x!	Set HDMI input EDID mode (x=18) 1. 4K2K60_444,Stereo Audio 2.0 2. 4K2K60_444,Dolby/DTS 5.1 3. 4K2K60_444,HD Audio 7.1 4. 4K2K30_444,Stereo Audio 2.0 5. 4K2K30_444,Dolby/DTS 5.1 6. 4K2K30_444,HD Audio 7.1 7. 1080P,Stereo Audio 2.0 8. 1080P,Dolby/DTS 5.1 9. 1080P,HD Audio 7.1 10.1920x1200,Stereo Audio 2.0 11.1680x1050,Stereo Audio 2.0 12.1600x1200,Stereo Audio 2.0 13.1440x900,Stereo Audio 2.0 14.1360x768, Stereo Audio 2.0 15.1280x1024,Stereo Audio 2.0 16.1024x768, Stereo Audio 2.0 17.720p,Stereo Audio 2.0 18.copy from HDMI out	s input EDID 1!	input EDID:4K2K60_444, Stereo Audio 2.0
r input EDID!	Get input EDID mode	r input EDID!	input EDID:4K2K60_444, Stereo Audio 2.0
Audio Setting			
s output audio x!	Set output audio source (x=0~4) 0. follow window 1 selected source 1. HDMI 1 input audio 2. HDMI 2 input audio 3. HDMI 3 input audio 4. HDMI 4 input audio	s output audio 0!	output audio: follow window 1 selected source
r output audio!	Get output audio source	r output audio!	output audio: follow window 1 video
s output audio vol+!	Increase output audio volume	s output audio vol+!	output audio volume: 50
s output audio vol-!	Decrease output audio volume	s output audio vol-!	output audio volume: 50
s output audio vol x!	Set output audio volume value (x=0~100)	s output audio vol 30!	output audio volume: 30
r output audio vol!	Get output audio volume	r output audio vol!	output audio volume: 30
s output audio mute x!	Set output audio mute on/off (x=0~1) 0. mute off 1. mute on	s output audio mute 0!	output audio mute: off

Command Code	Function Description	Example	Feedback
r output audio mute!	Get output audio mute on/off	r output audio mute!	output audio mute: off
Single Screen Mode Setting			
s auto switch x!	Enable/disable auto switch feature(x=0~1) 0. Disable auto switch 1. Enable auto switch	s auto switch 0!	auto switch off
r auto switch!	Get auto switch feature	r auto switch!	auto switch off
s in source x!	Route input source to output (1~4) 1. HDMI 1 2. HDMI 2 3. HDMI 3 4. HDMI 4	s in source 1!	HDMI 1
r in source!	Get output selected input source	r in source!	HDMI 1
Multi-viewer Mode Setting			
s multiview x!	Set multi-viewer display mode (x=1~5) 1. single screen 2. PIP 3. PBP 4. triple screen 5. quad screen	s multiview 1!	single screen
r multiview!	Get multi-viewer display mode	r multiview!	single screen
s window x in y!	Select one input for one display window for the current Multiview mode. (x=1~4) 1. window 1 2. window 2 3. window 3 4. window 4 (y=1~4) 1. HDMI 1 2. HDMI 2 3. HDMI 3 4. HDMI 4	s window 1 in 1!	window 1 select HDMI 1
r window x in!	Get windows selected input source (x=0~4) 0. ALL 1. window 1 2. window 2 3. window 3 4. window 4	r window 1 in!	window 1 select HDMI 1
s PIP position x!	Set PIP window position (x=1~4) 1. Left Top 2. Left Bottom 3. Right Top 4. Right Bottom	s PIP position 3!	PIP on right top
r PIP position!	Get PIP window position	r PIP position!	PIP on right top
s PIP size x!	Get PIP window size (x=1~3) 1. small 2. middle 3. large	s PIP size 3!	PIP size: large
r PIP size!	Get PIP window size	r PIP size!	PIP size: large
s PBP mode x!	Set PBP windows display mode (x=1~2) 1. PBP mode 1 2. PBP mode 2	s PBP mode 1!	PBP mode 1

Command Code	Function Description	Example	Feedback
r PBP mode!	Get PBP windows display mode	r PBP mode!	PBP mode 1
s PBP aspect x!	Set PBP windows display aspect ratio (x=1~2) 1. Full screen 2. 16:9	s PBP aspect 1!	PBP aspect: full screen
r PBP aspect!	Get PBP windows display aspect ratio	r PBP aspect!	PBP aspect: full screen
s triple mode x!	Set triple windows display mode (x=1~2) 1. triple mode 1 2. triple mode 2	s triple mode 1!	triple mode 1
r triple mode!	Get triple windows display mode	r triple mode!	triple mode 1
s triple aspect x!	Set triple windows display aspect ratio (x=1~2) 1. Full screen 2. 16:9	s triple aspect 1!	triple aspect: full screen
r triple aspect!	Get triple windows display aspect ratio	r triple aspect!	triple aspect: full screen
s quad mode x!	Set quad windows display mode (x=1~2) 1. quad mode 1 2. quad mode 2	s quad mode 1!	quad mode 1
r quad mode!	Get quad windows display mode	r quad mode!	quad mode 1
s quad aspect x!	Set quad windows display aspect ratio (x=1~2) 1. Full screen 2. 16:9	s quad aspect 1!	quad aspect: full screen
r quad aspect!	Get quad windows display aspect ratio	r quad aspect!	quad aspect: full screen