



ASSEMBLY INSTRUCTION

NL2FX / NL2FRX

SpeakON® SPX Series | Lockable Loudspeaker Connector

IMPORTANT SAFETY INSTRUCTION

Electrical Rating acc. UL & CSA:

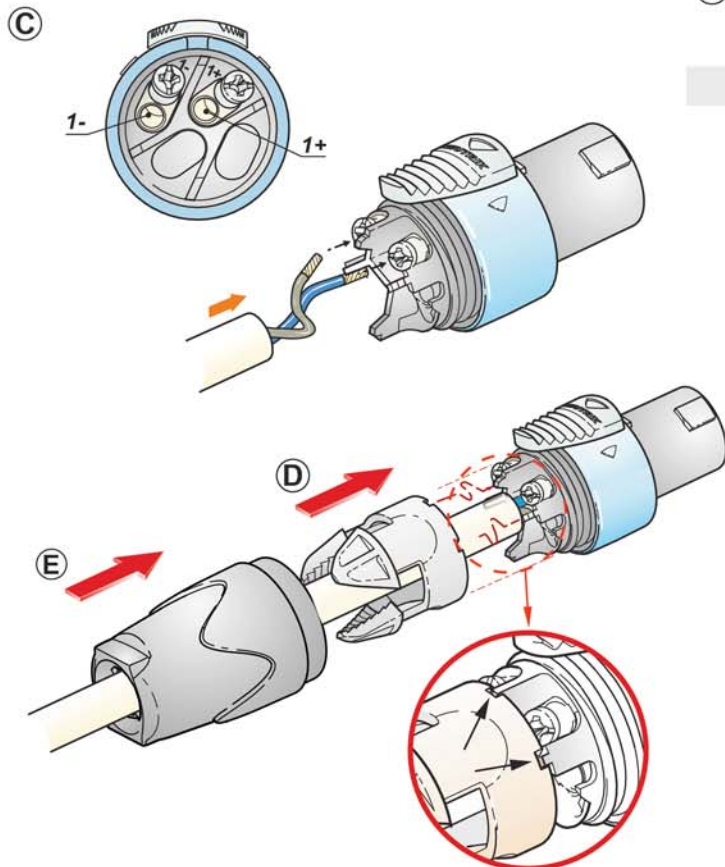
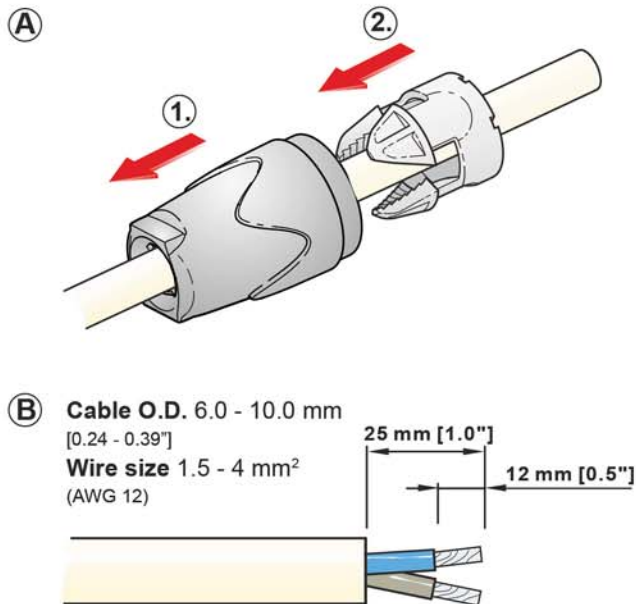
USR: 40A/250V, CNR: 25A/250V

Attention:

SpeakON is not to be used as an AC mains or power supply connector!

“CAUTION: NOT FOR INTERRUPTING CURRENT”

“ATTENTION: NE PAS UTILISER POUR COUPER LE COURANT”



Assembly of the Connector:

(A) Place bushing and chuck over cable.

(B) Prepare cable as shown.

Important is the stripping length of 25 mm and 12 mm.

(C) Insert wires into terminals and secure clamp terminals with screw driver (POZIDRIV® #1) at max. torque 0.8 Nm.
For 6 mm² (AWG 10) remove screws, clamping sheet and solder.

(D) Push chuck up to housing .

Important: Align the chuck by positioning the nose into the recess.

(E) Finish installation by turning the bushing onto the connector.

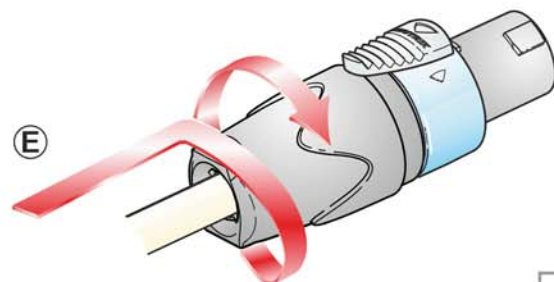
INFO to the screw driver:



DO NOT USE!

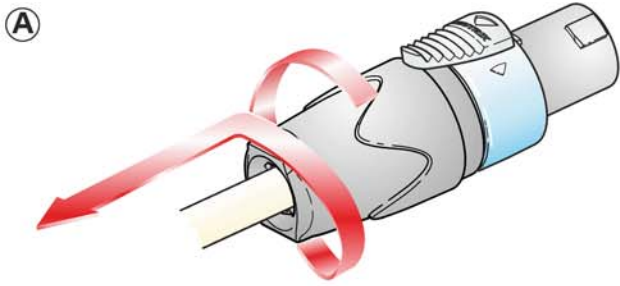
POZIDRIV® #1

Philips

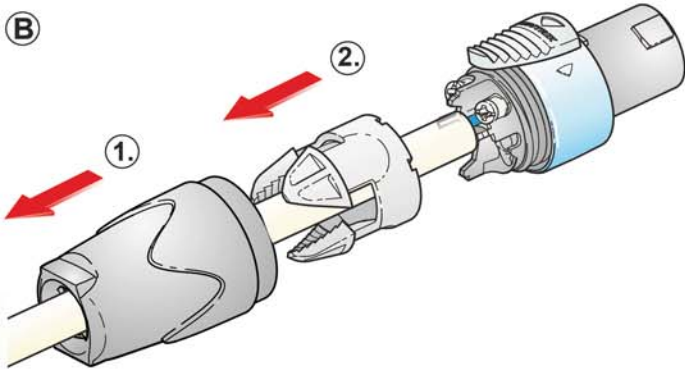




Assembly of the Conversion Kit LRX:



A Open the bushing.



B Slide the bushing and the chuck back.

C Bend the cable as shown.

D Position the two conversion shells to fit on the connector thread.

E Press together and fix by screw.

F Slide the chuck onto the housing and fasten the bushing.

Important: Align the chuck by positioning the nose into the recess.

