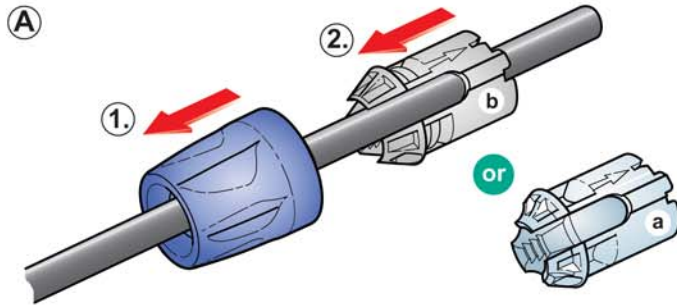




ASSEMBLY INSTRUCTION

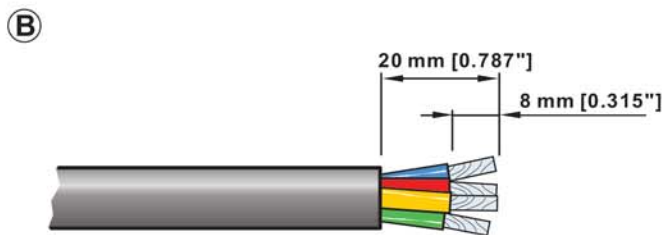
NL4FC | speakON® - Lockable Loudspeaker Connector

Attention: speakON® is not to be used as an AC mains or power supply connector!



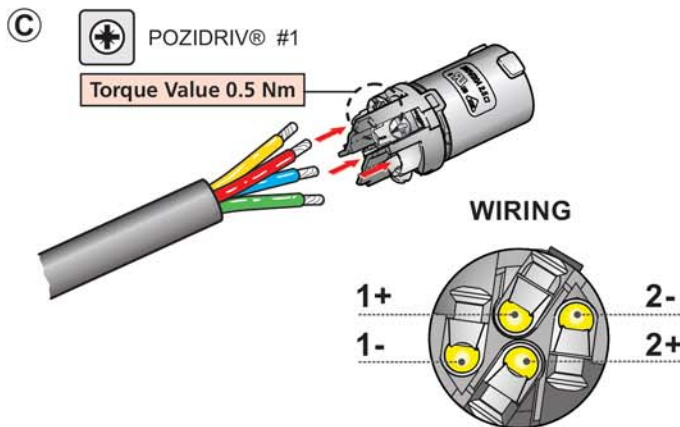
- A** Place the bushing (1) and the chuck (2) over the cable.

White chuck (a): 6.0 - 11.0 mm [0.236 - 0.433"]
Black chuck (b): 9.5 - 15.0 mm [0.374 - 0.59"]



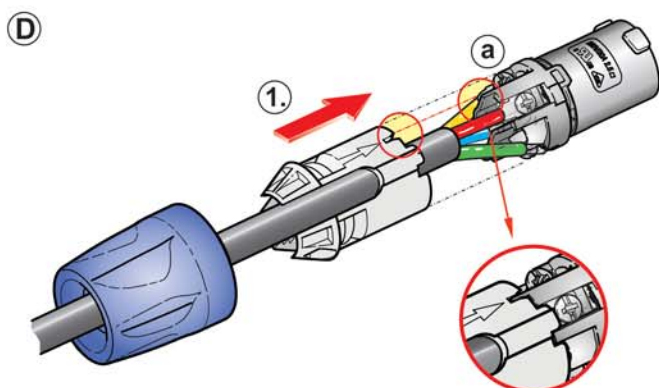
- B** Prepare the cable as shown.

Cable O.D.: 6.0 - 15.0 mm [0.236 - 0.59"]
Wire size: 4 mm² (AWG 12)



- C** Insert the wires into the terminals and fasten the clamping device with a screw driver (POZIDRIV® #1).

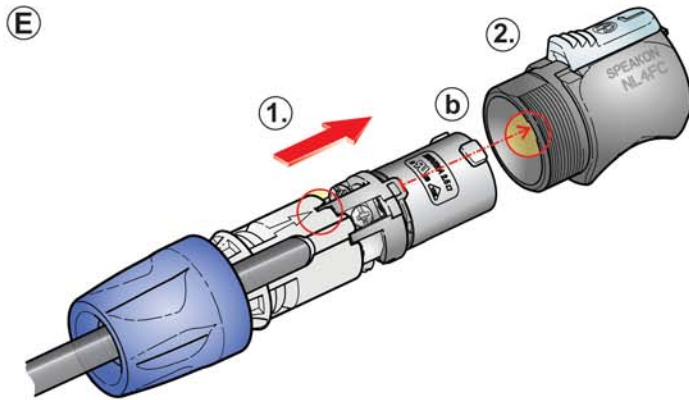
Max. torque 0.5 Nm (0.37 lb-ft).



- D** Slide the chuck (1) onto the insert.

Important:
(a) Align the chuck by positioning the nose into the recess.



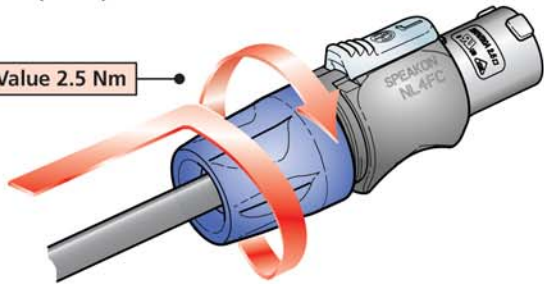


Ⓔ Slide the insert and the chuck (1) into the housing (2).

Important:
(b) Pay attention to the guiding keyway!

Ⓕ  Wrench size 7/8" (SW22)

Torque Value 2.5 Nm



Ⓕ Fasten the bushing with a fork wrench 7/8" (SW 22).

OPTION:
Use the handtool HTFAC to tighten the bushing.

FINISHED speakON

