

TECHNICAL SPECIFICATION

CLR Fiber Optic Pre-Polished Connectors



Part: CLR type connectors; LC & SC type MM, SM, SM APC

Covid CLR field installable LC & SC type connectors completely eliminate the need to hand polish, epoxy, or crimp in the field. Being the easiest to terminate connectors in the industry while requiring no specialized tooling, CLR mechanical splice connectors ensure precise fiber alignment producing low loss terminations for all Multimode or Singlemode applications. CLR connectors are compatible with 900µm, 2.0 or 3.0mm fiber optic cabling. Our exclusive hinge based design and large verification windows allows for easy confirmation of successful termination. CLR connectors are compatible with all CLR fibers as well as standard fiber optic cabling.



FEATURES:

- Terminate in as little as one minute
- Compatible with 900µm 2.0 and 3.0mm cables
- No crimping or proprietary tooling required
- Large confirmation window for easy verification
- Easy fiber insertion with VLgroove channel
- Industry leading hinge clamp strain relief
- Simplified ordering and inventory

PART#	PART DESC.	COLOR	PACK SIZE
CLR-LC-MMFPC-10	Multimode LC	Aqua	10 Pack
CLR-SC-MMFPC-10	Singlemode SC	Blue	10 Pack

CLR fiber optic connectors are compatible with 900um buffered or fan out tubing installations and all 2.0mm and 3.0mm jacketed fibers.

CLR CONNECTOR TYPE:

- LC
- SC
- LC/APC
- SC/APC

FIBER TYPE:

- OM1
- OM2
- OM3/OM4
- OS1/OS2

APPLICATIONS:

- Premise/Enterprise Networks
- Backbone Horizontal and FTTH applications
- Data Center Enterprise Broadcast Industrial
- Defense Healthcare and Telco/MSO
- Field repair/ replacement
- LAN/WAN connections

SPECIFICATIONS			
Insertion Loss	Multimode	Typical ≤ 0.3 / Max 0.5	
	Singlemode	Typical ≤ 0.3 / Max 0.5	
	singlemode APC	Typical ≤ 0.3 / Max 0.6	
Return Loss	≤26dB (FPC)	≤45dB (UPC)	≤55dB (APC)

These connectors allow fiber to be reinserted into connectors up to 5 times.

CLR fiber connectors simplify your installations whatever the size or complexity. With the CLR line of connectors termination is completed in a minute or less. Working with fiber has never been faster or easier and with CLR you can produce reliable connections every time with low loss. Our exclusive industry leading hinge design provides increased strain relief and ease of fiber insertion.

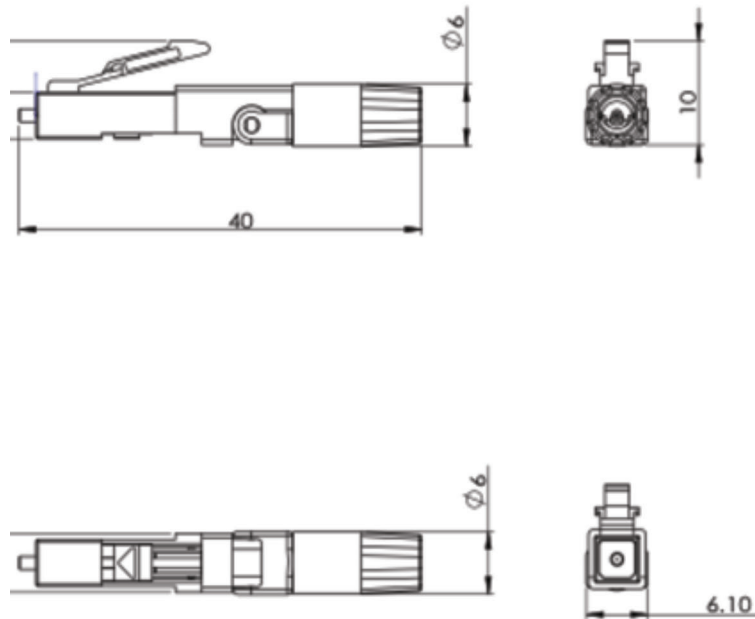
1723 W. 4th Street Tempe Arizona 85281

P: 800.638.6104 | F: 480.966.6728 | E: sales@covid.com www.covid.com

TECHNICAL SPECIFICATION

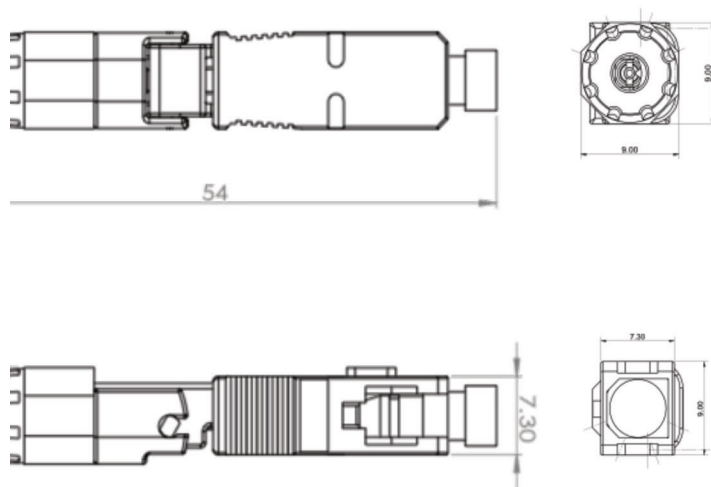
LC TYPE

Part: CLR type connectors; LC type MM, SM, SM APC



SC TYPE

Part: CLR type connectors; SC type MM, SM, SM APC



1723 W. 4th Street Tempe Arizona 85281

P: 800.638.6104 | F: 480.966.6728 | E: sales@covid.com www.covid.com