



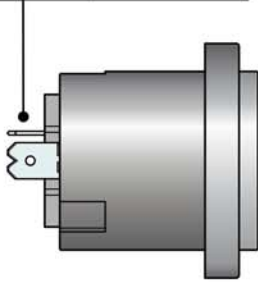
# ASSEMBLY INSTRUCTION

## speakON® Chassis Connector

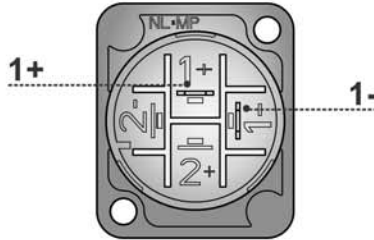
### NL2MP & NL4MP & NL8MPR

#### NL2MP

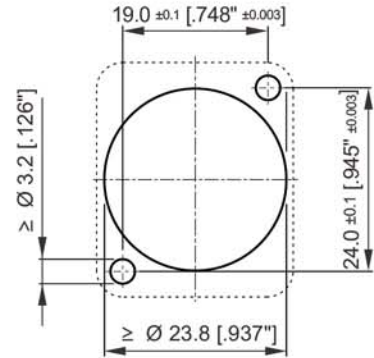
Flat tabs for 3/16" FASTON®  
4.8 mm x 0.5 mm [0.187" x 0.020"]



#### WIRING

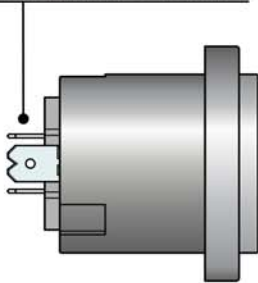


#### Panel Cutout (Rear Side)

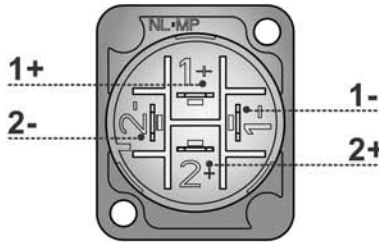


#### NL4MP

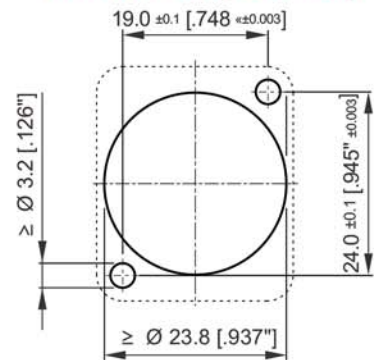
Flat tabs for 3/16" FASTON®  
4.8 mm x 0.5 mm [0.187" x 0.020"]



#### WIRING

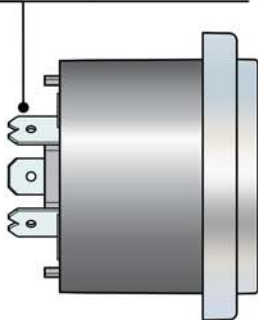


#### Panel Cutout (Rear Side)

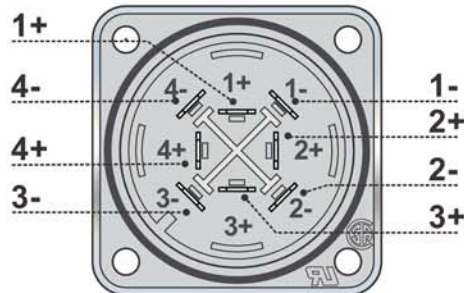


#### NL8MPR

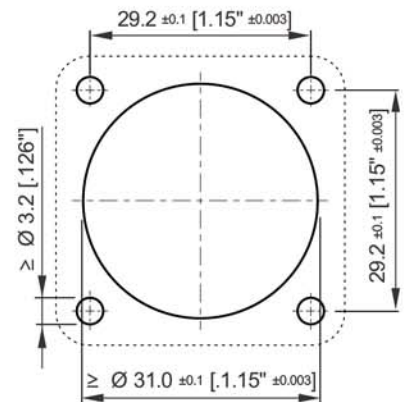
Flat tabs for 3/16" FASTON®  
4.8 mm x 0.5 mm [0.187" x 0.020"]



#### WIRING



#### Panel Cutout



- **ATTENTION:**  
speakON® is NOT to be used as an AC mains or power supply connector!
- **RECOMMENDATION:**  
Fastening torque max. 0.40 Ncm!



**NEUTRIK**

1723 W. 4th Street Tempe Arizona 85281

P: 800.638.6104 | F: 480.966.6728 | E: sales@covid.com www.covid.com