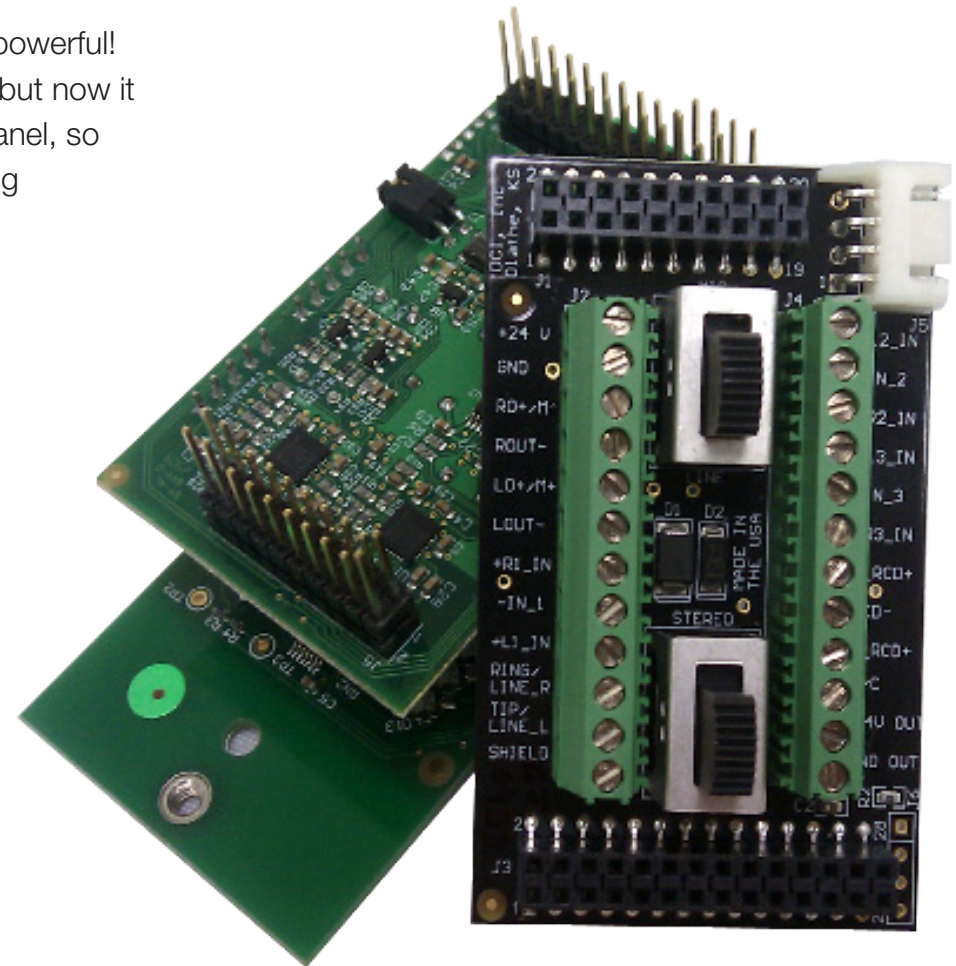


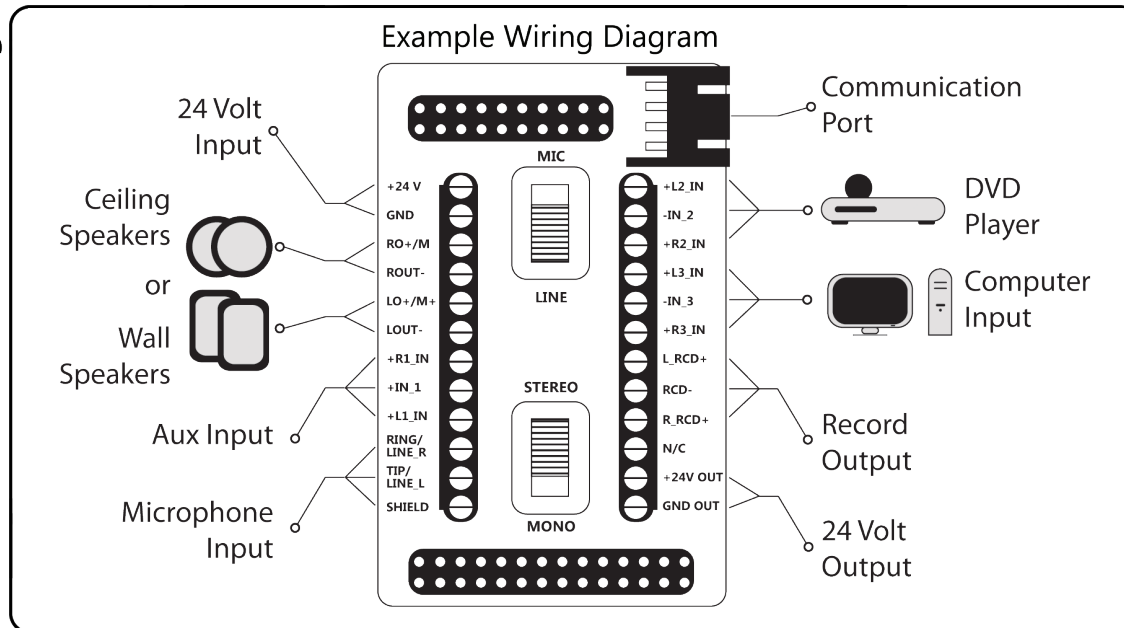
The RA-225

The best small room audio solution just got bigger, better, and more powerful! The new RA-225 has all of the same features of the original RA-120, but now it is even more user-friendly. We have extended the pins on the back panel, so the connection panel can be taken off and put back on without cutting the power. The audio record port is now buffered, empowering users to podcast with enhanced clarity. Our newest feature incorporates a RS-232 communication port on the back. The RA-225, the next evolution of simplified sound.

Record Out – Buffered for Better Quality
Expandability – With Active RS232 Communication Port
Setup – Connection Plate is now Hot Swappable
Output – Available in Stereo or Mono
Neat – Fits in a Single-Gang Plate
Adjustable – Switch from Mic to Line
Touch – Simple to Manage for All Users
Exceptional – Value for All of the Features



Wiring



Specifications

Type	2 Channel Mixer Amp
Architecture	Digital Class D
Max Stereo Output	50W (25Wx2 @ 4Ω)
RMS Stereo Output	24W (12Wx2 @ 8Ω)
Power Efficiency	90% 24VDC, 4Ω, 20W
Freq. Response	22Hz - 20KHz
THD Distortion	4Ω, 1KHz, 10W->0.08% 8Ω, 1KHz, 5W->0.08%
Recommended Impedance	4Ω
Signal to Noise Ratio	99dB
Line Level Inputs	3
Input Impedance	25KΩ
Microphone Level Inputs	1
Input Impedance	35KΩ
Power Supply	24VDC @ 36W
USA Safety Listing	UL and CE Listed
Line Level Output	1
Record Output Power	35mW

Features

1. Touch sensitive, multi-function front panel Volume level and Mute.
2. Touch sensitive, multi-function Power and Volume Select.

** Unit can be turned off completely, unlike many ceiling installed products.

3. Front panel 3.5 mm jacks for line input and "true mixed" microphone input for user convenience.

** Hardwire solutions available on back panel.

4. Touch sensitive Source Selection, choose from up to 3 sources.

Accessories

RA-603 Wall Speakers	
RA-402 * 6.5" in-ceiling speakers	
RA-502 * 5 1/4" on-wall speakers	
RA-BC * back can RA-TB * tile bridge	