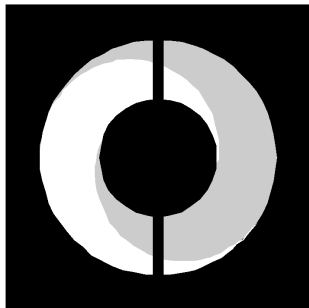
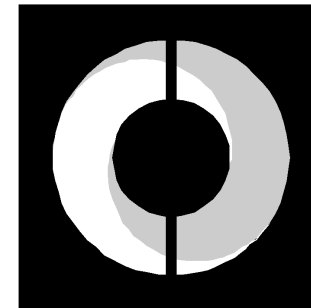


# ***CVD 9002***

## ***RGBHV Distribution Amplifier***



C O V I D



C O V I D

1723 West 4<sup>th</sup> Street / Tempe, AZ 85281  
phone (480) 966-2221 / fax (480) 966-6728  
toll free (800) 638-6104  
internet: [www.covid.com](http://www.covid.com)  
©2002 Covid, Inc. All Rights Reserved.

# **User's Manual**

**DISCLAIMER**

***The information contained in this document is subject to change without notice.***

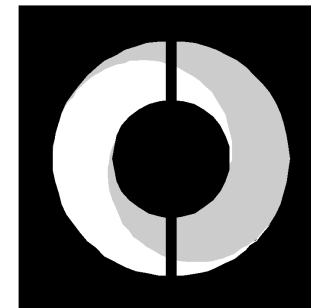
***Covid, Inc. makes no warranty of any kind with regard to this material.***

***This document contains proprietary information that is protected by copyright. All rights are reserved. No part of this document may be reproduced or distributed in any form or by any means without prior written consent of Covid, Inc.***

# ***CVD 9002***

***1 Input, 2 Output  
RGBHV Distribution Amplifier***

**A Simple Solution for Distributing A Single  
RGBHV Source to Several Displays**



**C O V I D**



# General Specifications

## CVD 9002 1 IN, 2 OUT RGBHV DISTRIBUTION AMPLIFIER

### INPUT:

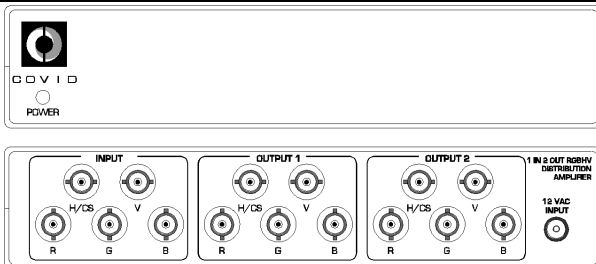
Signal: Analog RGBHV, RGBS, RGsB, RsGsBs  
 Connectors: (5) BNC Female  
 Video Impedance: 75 Ohms  
 Video Level: 0.5 – 1.5 Vpp  
 Sync Level: Analog / TTL (0.5-5.0 Vpp)  
 Sync Polarity: + / -

### OUTPUT:

Signal: Follows Input  
 Connectors: (10) BNC Female  
 Video Impedance: 75 Ohms  
 Video Level: Follows Input  
 Sync Impedance: 24 Ohms  
 Sync Level: Follows Input  
 Bandwidth: 350 MHz

## PHYSICAL SPECIFICATIONS

DIMENSIONS: 1U High, 1/2 Rack Wide  
 (in) 1.75 H x 8.50 W x 6.00 D  
 (cm) 4.45 H x 16.19 W x 15.24 D  
 ENCLOSURE: Aluminum, Black, Texture Finish  
 WEIGHT: Net: 1.9 lbs. / 0.86 kg  
 POWER: Input: 110 or 220 VAC Wall Mount, 12 VAC, 1A, UL  
 Dissipated: 2 Watts



# Contents

Introduction	2
Panel Descriptions	3
Front Panel	3
Rear Panel	4
Operational Setup	5
Typical Configuration	6
User Instructions	7
Acceptable Formats	7
General Specifications	8

## Introduction

Thank you for purchasing a CVD 9002 RGBHV distribution amplifier. Covid's CVD 9002 provides a simple solution for distributing a single source to several displays. The CVD 9002 may be used to distribute computer signals to multiple displays, or to boost signal strength over long coax runs. Some of the features of the CVD 9002 video distribution amplifiers include:

- BNC Female Connectors on Inputs and Outputs
- Accepts Both Analog / TTL Sync Levels
- 350 MHz Bandwidth

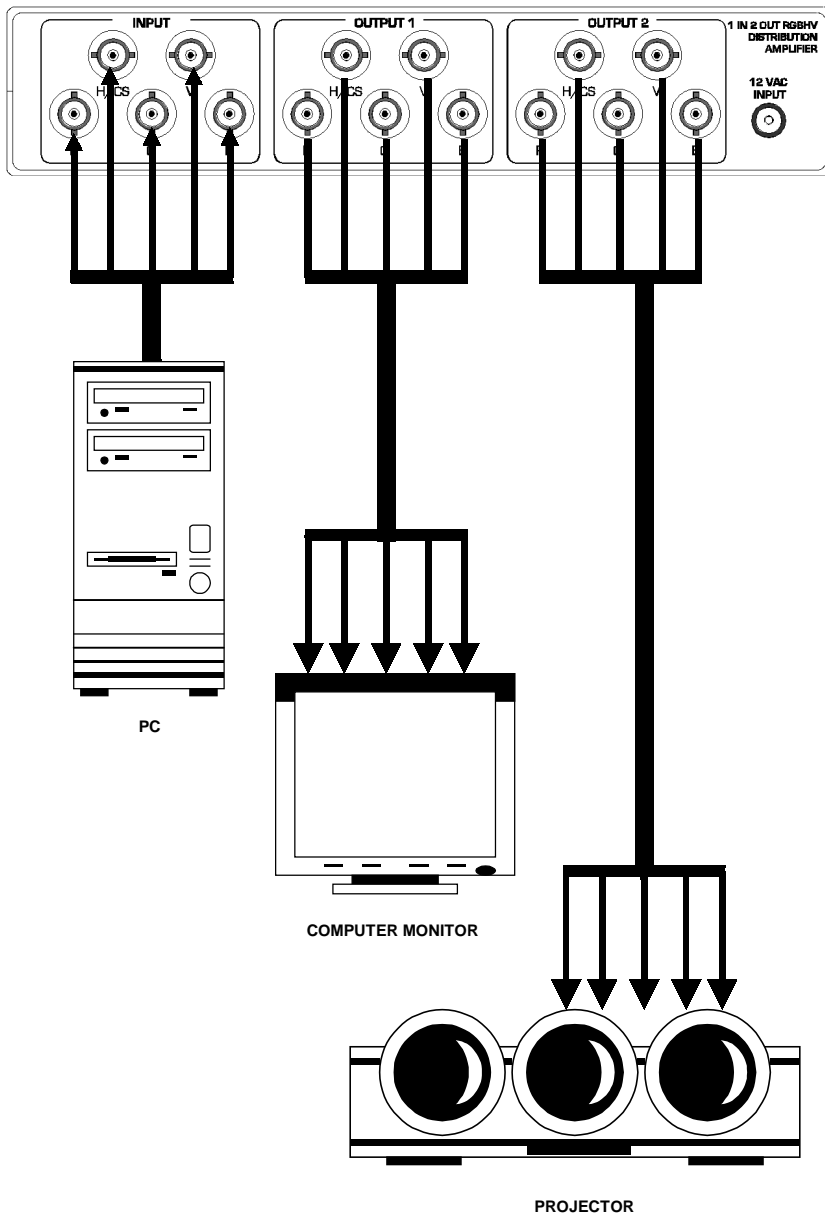
## User Instructions

### Acceptable Formats

There are several acceptable input formats. The output follows the input format. They are the following:

INPUT FORMAT	OUTPUT FORMAT
RGBHV	RGBHV
RGBS	RGBS
RGsB	RGsB
RsGsBs	RsGsBs

## Typical Configuration



## Panel Descriptions

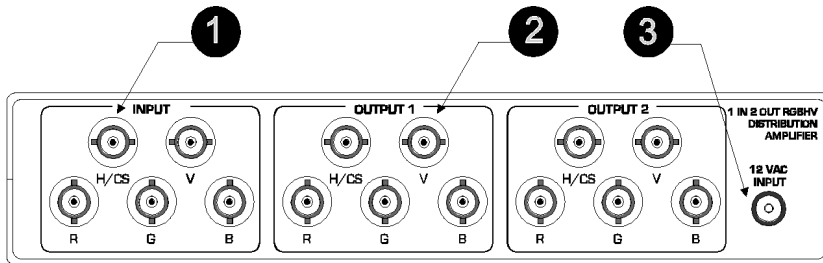


*FRONT PANEL LAYOUT*

### FRONT PANEL

1. **POWER ON LED:** Illuminates when power is applied to the unit.

## Panel Descriptions



REAR PANEL LAYOUT

### REAR PANEL

1. **INPUT:** BNC Female Connectors accept the input signals. Connect these inputs to the output of your computer or other source.
2. **OUTPUT:** BNC Female Connectors are provided to connect to display devices. Connect these outputs to the input of the display devices.
3. **AC IN:** Power in accepts 12 VAC from a Wall Mount power cube.

## Operational Setup

Turn off all equipment before connecting or removing cables.

1. Connect the video source signals to the input. Connect the Red source to the input labeled R. Connect the Green Source to the input labeled G. Connect the Blue Source to the input labeled B. Connect the Horizontal or Composite Sync source to the input labeled H/CS. Connect the Vertical Sync source to the input labeled V.
2. Connect the video outputs to the displays.
3. Power up the unit and check power on LED indicator.
4. The unit is now operational. Turn on your video source and finally the display monitors.