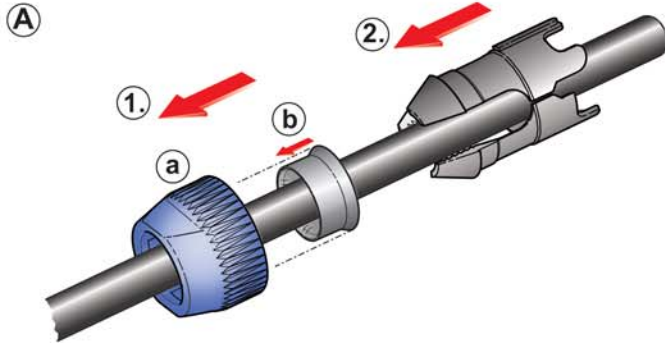




ASSEMBLY INSTRUCTION

NL8FC | speakON® - Lockable Loudspeaker Connector

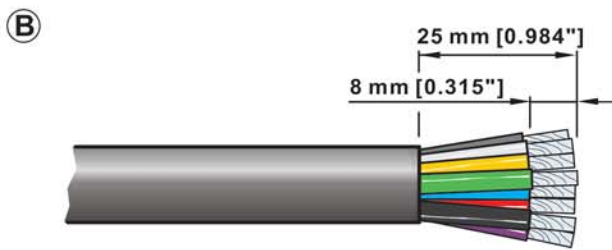
Attention: speakON is not to be used as an AC mains or power supply connector!



A Place the bushing (1) and the chuck (2) over the cable.

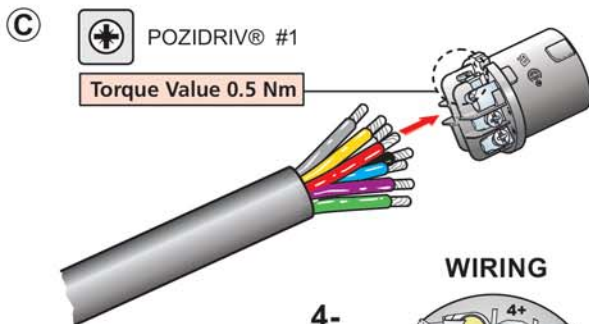
Bushing (a) with reducing sleeve (b):
8.0 - 15.0 mm [0.315" - 0.591"]

Bushing (a):
15.0 - 20.0 mm [0.591" - 0.787"]



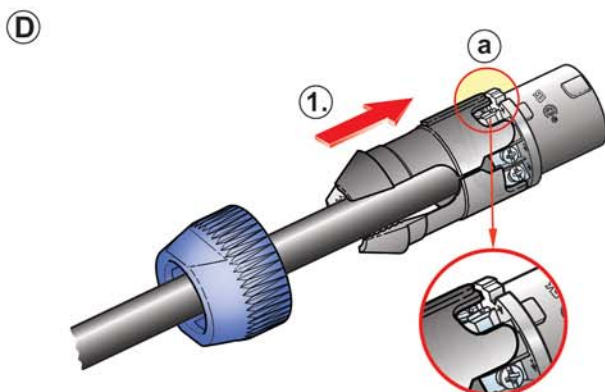
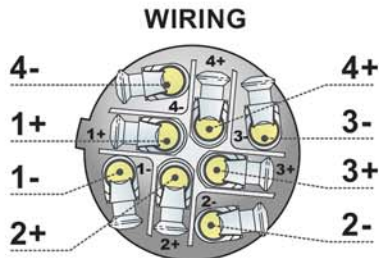
B Prepare the cable as shown.

Cable O.D.: 8.0 - 20.0 mm [0.315" - 0.787"]
Wire size: 4 mm² (AWG 12)



C Insert the wires into the terminals and fasten the clamping device with a screw driver (POZIDRIV® #1).

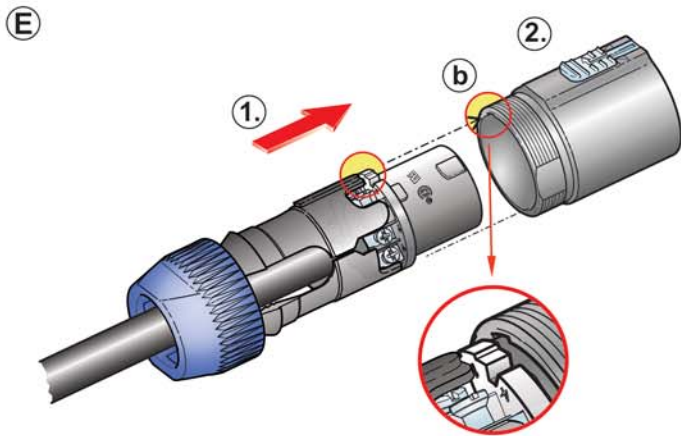
Max. torque 0.5 Nm (0.37 lb-ft).



D Slide the chuck (1) onto the insert.

Important:
(a) Align the chuck by positioning the nose into the recess.



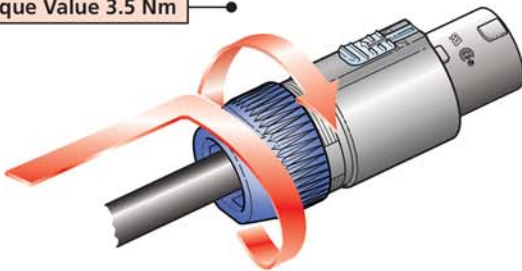


Ⓔ Slide the insert and the chuck (1) into the housing (2).

Important:
(b) Pay attention to the guiding keyway!

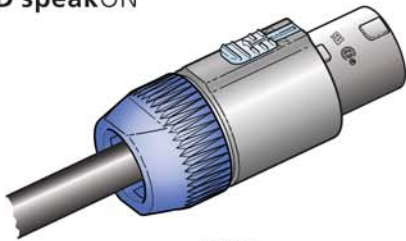
Ⓕ  Wrench size
1 1/16" (SW27)

Torque Value 3.5 Nm



Ⓕ Fasten the bushing with a fork wrench 1 1/16" (SW 27), max. Torque 3.5 Nm (2.58 lb-ft).

FINISHED speakON



NL8FC

