

TECHNICAL SPECIFICATION DH12-200



Description: This 18Gbps HDMI Splitter transmits ultra-high definition video and audio up to 2160p@60Hz (4K - 18G) to two synchronous outputs, while also providing built-in signal equalization and EDID control.

Why This Cable? This HDMI splitter is used to split an ultra-high definition video signal up to 2160p@60Hz (4K - 18G) to two HDMI outputs. An example use would be to input one Blu-ray player video signal out to two monitors/displays.

Key Features

- HDMI 2.0, HDCP 2.2 / HDCP 1.4
- Resolutions Up To 2160p@60Hz (4K - 18G)
- VESA format up to QSXGA60Hz
- Audio up to 7.1 channels of High Definition audio pass through (LPCM, Dolby TrueHD, and DTS-HD Master Audio).
- Built-in equalizer, retiming and driver
- Smart EDID control
- Compact design for an easy and flexible installation
- Comes with (1) splitter, (1) 5V/1A power adapter & (1) user manual

HDMI 2.0 Splitter, 1X2, 18Gbps

Part Number:	DH12-200
Revision Number:	1
Date:	12-03-2020
Page Number:	1 of 2

TECHNICAL SPECIFICATION DH12-200

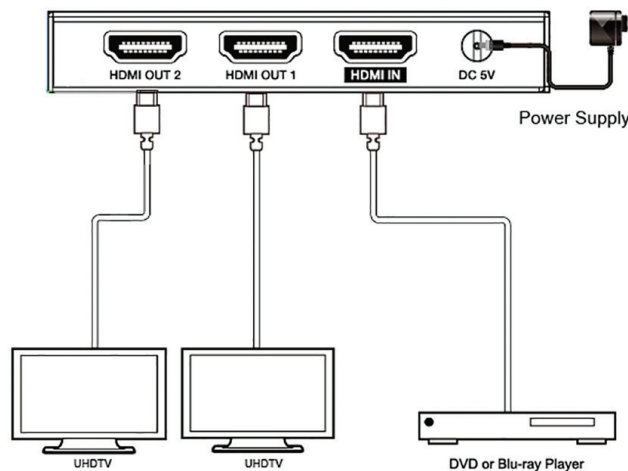


Technical Specifications

Video Bandwidth: 600MHz/18Gbps
Input Ports: 1×HDMI Type A[19-pin female]
Output Ports: 2×HDMI Type A[19-pin female]
Video Resolution: 4k2k@60Hz
ESD Protection:Human body model — ±8kV (air-gap discharge) & ±4kV (contact discharge)

Mechanical

Housing: Metal Enclosure
Color: Black
Dimensions: 56mm (W) × 100mm (D) × 16mm (H)
Weight: 165g
Power Supply input: AC100 - 240V 50/60Hz
Power Supply Output: DC 5V/1A (US/EU standards, CE/FCC/UL certified)
Power Consumption: 2W (Max)
Operation Temperature: 32 - 104°F / 0 - 40°C
Storage Temperature: -4 - 140°F / -20 - 60°C
Relative Humidity: 20 - 90% RH (no condensation)



Part Number:	DH12-200
Revision Number:	1
Date:	12-03-2020
Page Number:	2 of 2

HDMI 2.0 Splitter, 1X2, 18Gbps

1723 W. 4th Street Tempe Arizona 85281
P: 800.638.6104 | F: 480.966.6728 | E: sales@covid.com | www.covid.com

Disclaimer: Conditions of use may vary. Information is subject to change without notice.