

TECHNICAL SPECIFICATION

EHB-230



Description: HDBaseT Transmitter/Receiver Set with HDMI and USB-C

Why This HDBaseT Set? Wall plate is a 2x1 switcher and HDBaseT transmitter with HDMI and USB-C inputs.

Key Features

- Compliant with HDMI 2.0b, HDCP 2.2 and Display Port 1.2a
- HDMI input supports 18Gbps video bandwidth;
- USB-C input supports 5.4Gbps video bandwidth
- Video resolution up to 4K2K@50/60Hz 4:4:4
- HDBaseT output can extend video transmission distance up to 230ft / 70m for 1080P@60 or 131ft / 40m for 4K@60 via a single CAT6/6a/7 cable
- Support 3D, HDR10 and Dolby Vision
- HDMI audio formats support LPCM, Dolby Digital/Plus/EX, Dolby True HD, DTS, DTS-EX,DTS-96/24, DTS High Res, DTS-HD Master Audio, DSD
- Support HDMI and USB-C input
- With USB-C charging port
- US one-gang enclosure for Decora-style wall plate openings
- Input signal selection supports automatic mode and manual mode
- Support POE function (only from Receiver to Transmitter)
- Available in white or black coating



Package Contents

- 1 × 18Gbps HDBaseT 70M with USB-C/HDMI Wall Plate Transmitter
- 1 × 3pin-3.81mm Phoenix Connector (male)
- 1 × User Manual



HDBaseT Transmitter/Receiver with HDMI and USB-C

Part Number:	EHB-230
Revision Number:	1
Date:	04-28-22
Page Number:	1 of 4

1723 W. 4th Street Tempe Arizona 85281
P: 800.638.6104 | F: 480.966.6728 | E: sales@covid.com | www.covid.com

TECHNICAL SPECIFICATION EHB-230



Specifications

Technical

HDMI Compliance	HDMI 2.0b
HDCP Compliance	HDCP 2.2
DP Compliance	Display Port 1.2a
Video Bandwidth	USB-C: 5.4 Gbps and HDMI: 18 Gbps
Video Resolution	480i~1080p50/60Hz, 4Kx2K@24/30Hz, 4k2k@60Hz
Color Space	RGB, YCbCr 4:4:4 / 4:2:2, YUV 4:2:0
Color Depth	8/10/12-bit (1080P@60Hz) 8-bit (4K@60Hz)
HDR	Support
HDMI Audio Formats	LPCM, Dolby Digital/Plus/EX, Dolby True HD, DTS, DTS-EX, DTS-96/24, DTS High Res, DTS-HD Master Audio, DSD
Transmission Distance (Max 1080P)	230ft / 70m over CAT6/6a/7
Transmission Distance (Max 4K)	131ft / 40m over CAT6/6a/7
ESD Protection	Human body model — ±8kV (Air-gap discharge) & ±4kV (Contact discharge)

Mechanical

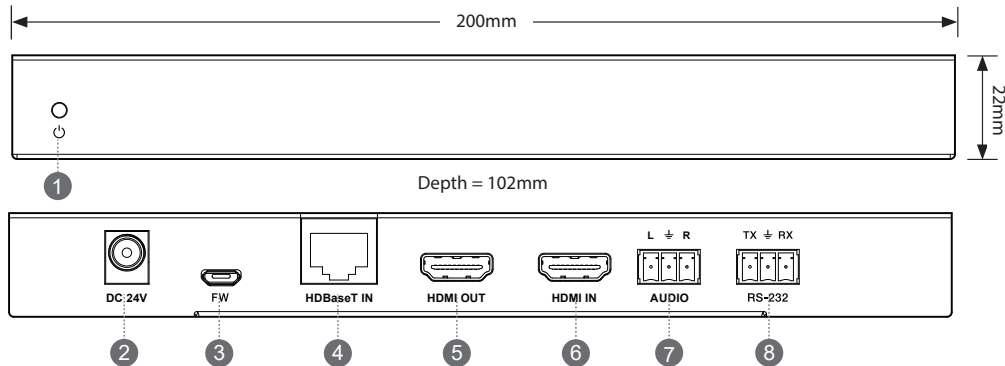
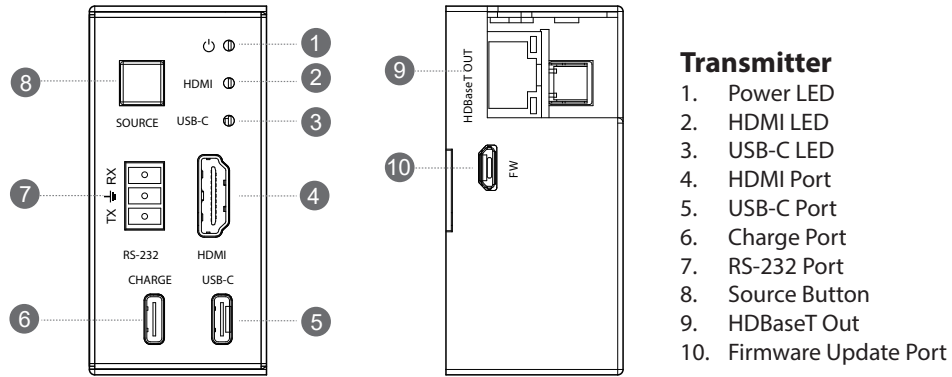
Housing	Metal Enclosure
Silkscreen Color	White/Black
Transmitter Dimensions	33.3mm [W] x 65.7mm [D] x 68.7mm [H]
Faceplate Dimensions	69.9mm [W] x 3mm [D] x 114.3mm [H]
Receiver Dimensions	200mm [W] x 102.8mm [D] x 22mm [H]
Transmitter Weight	197g
Receiver Weight	517g
Power Supply	POE (only from Receiver to Transmitter)
Power Consumption	Wall plate: 7.92W (Max), Receiver: 6W (Max)
Operation Temperature	32 - 104°F / 0 - 40°C
Storage Temperature	-4 - 140°F / -20 - 60°C
Relative Humidity	20~90% RH (non-condensing)

HDBaseT Transmitter/Receiver with HDMI and USB-C

Part Number:	EHB-230
Revision Number:	1
Date:	04-28-22
Page Number:	2 of 4

TECHNICAL SPECIFICATION

EHB-230



- Receiver**
1. Power LED
 2. DC 24V
 3. Firmware Update Port
 4. HDBaseT In
 5. HDMI Out
 6. HDMI In
 7. Audio Out
 8. RS-232 Port

HDBaseT Transmitter/Receiver with HDMI and USB-C

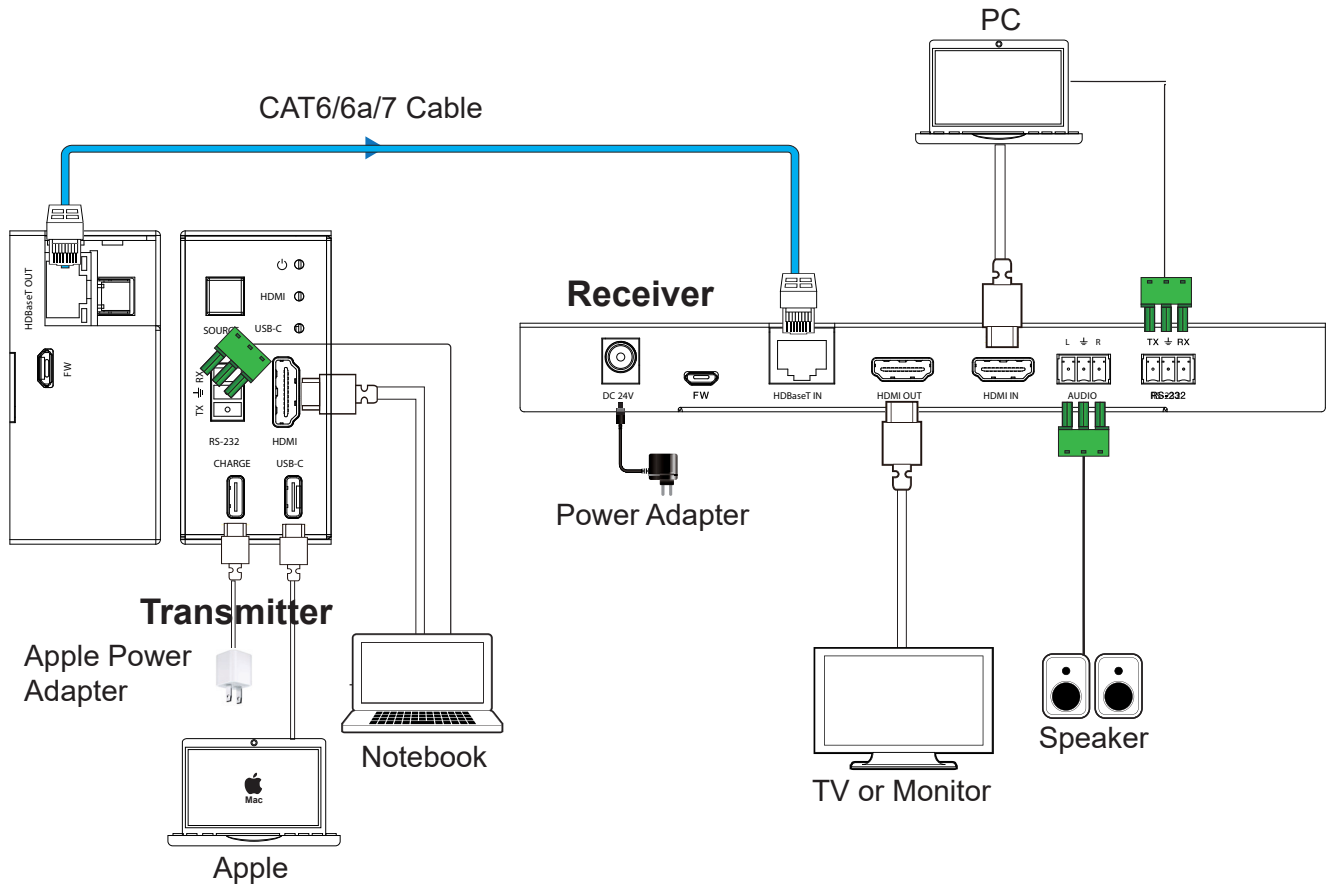
Part Number:	EHB-230
Revision Number:	1
Date:	04-28-22
Page Number:	3 of 4

TECHNICAL SPECIFICATION

EHB-230



Application Example



HDBaseT Transmitter/Receiver with HDMI and USB-C

Part Number:	EHB-230
Revision Number:	1
Date:	04-28-22
Page Number:	4 of 4