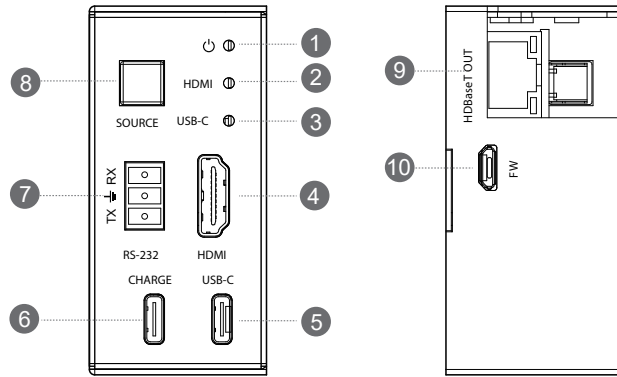






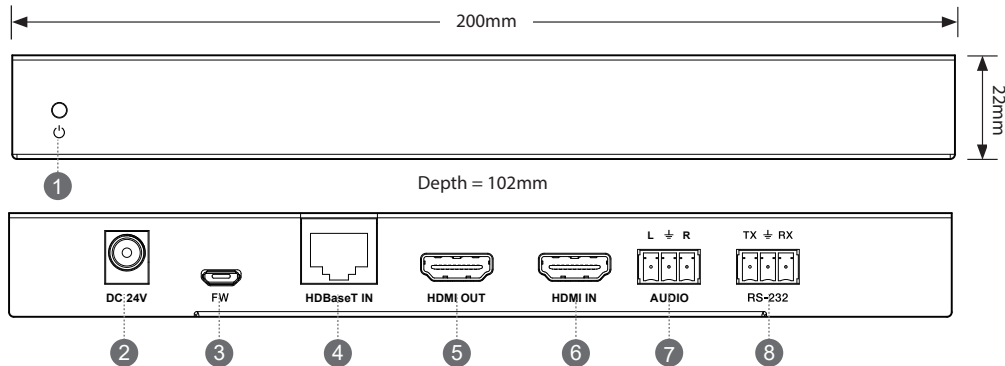
# TECHNICAL SPECIFICATION

## EHB-230



### Transmitter

1. Power LED
2. HDMI LED
3. USB-C LED
4. HDMI Port
5. USB-C Port
6. Charge Port
7. RS-232 Port
8. Source Button
9. HDBaseT Out
10. Firmware Update Port



### Receiver

1. Power LED
2. DC 24V
3. Firmware Update Port
4. HDBaseT In
5. HDMI Out
6. HDMI In
7. Audio Out
8. RS-232 Port

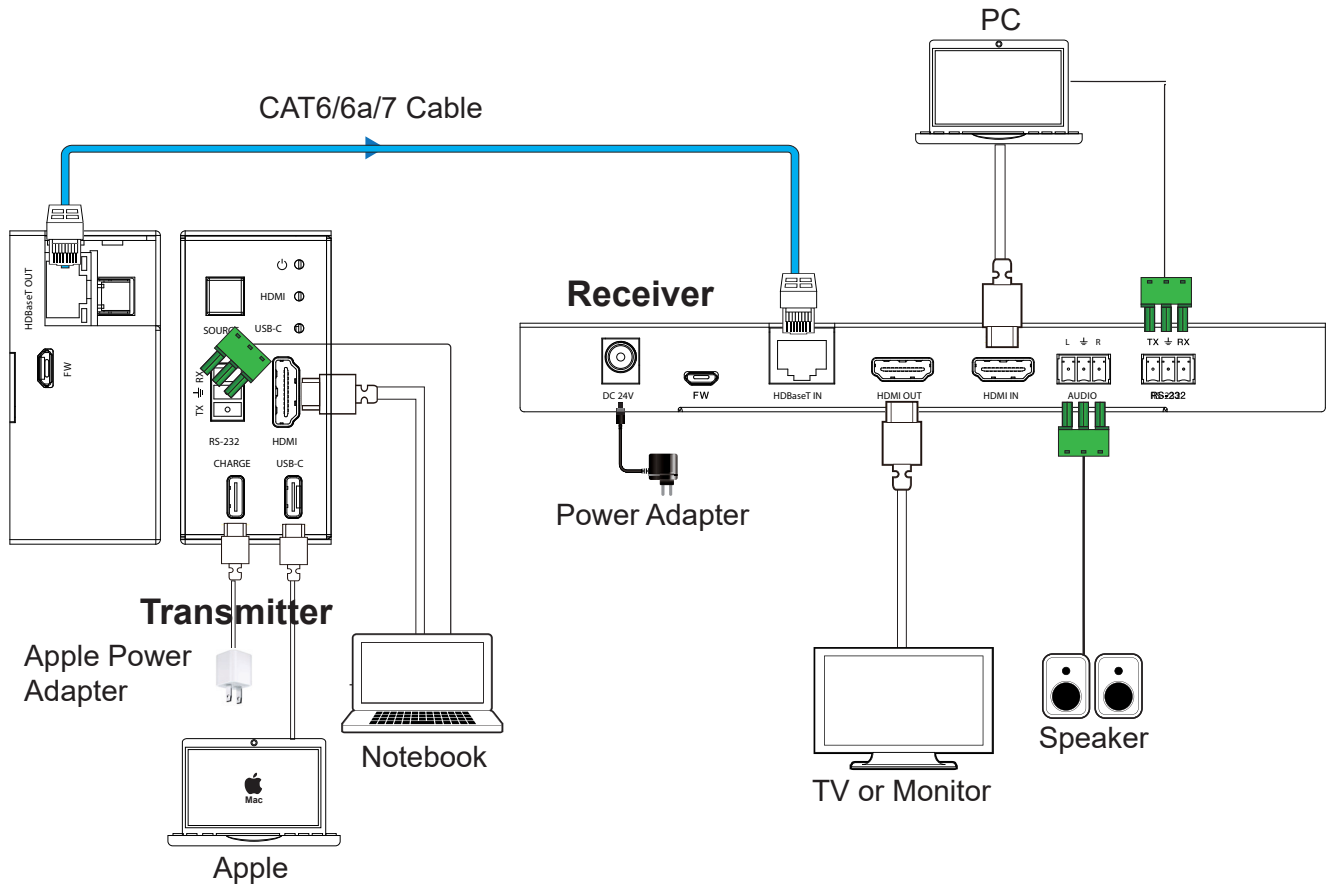
## HDBaseT Transmitter/Receiver with HDMI and USB-C

Part Number:	EHB-230
Revision Number:	
Date:	
Page Number:	3 of 4

# TECHNICAL SPECIFICATION EHB-230



## Application Example



## HDBaseT Transmitter/Receiver with HDMI and USB-C

Part Number:	EHB-230
Revision Number:	2
Date:	02-07-23
Page Number:	4 of 4