

TECHNICAL SPECIFICATION

EHB-260-W



Description: HDBaseT Transmitter/Receiver Set with HDMI and USB-C

Why This HDBaseT Set? Wall plate is a 2x1 switcher and HDBaseT transmitter with HDMI and USB-C inputs.

Key Features

- Compliant with HDMI 2.0b, HDCP 2.2
- HDMI input supports 18Gbps video bandwidth
- USB-C input supports 5.4Gbps video bandwidth
- Video resolution up to 4K2K@50/60Hz 4:4:4
- HDBaseT output can extend video transmission distance up to 230ft / 70m for 1080P@60 or 131ft / 40m for 4K@60 via a single CAT6/6a/7 cable
- Support HDR10 and HDR10+
- Audio formats support Dolby Atmos, TrueHD, Digital+, Digital; DTS X, HD Master Audio, HD High Resolution Audio, 5.1; PCM 2-8Ch
- Support HDMI and USB-C input
- US one-gang enclosure for Decora-style wall plate openings
- Input signal selection supports automatic mode and manual mode
- USB2.0 extension with Receiver
- Support POE function (only from Receiver to Transmitter)
- With USB-C charging port
- Available in white



Package Contents

- 1x 18Gbps HDBaseT 70M with USB-C/HDMI & KVM Function Wall Plate Transmitter
- 1 x User Manual



HDBaseT Transmitter/Receiver with HDMI and USB-C

Part Number:	EHB-260
Revision Number:	2
Date:	02-07-23
Page Number:	1 of 4

1723 W. 4th Street Tempe Arizona 85281
P: 800.638.6104 | F: 480.966.6728 | E: sales@covid.com | www.covid.com

TECHNICAL SPECIFICATION

EHB-260-W



Specifications

Technical

HDMI Compliance	HDMI 2.0b
HDCP Compliance	HDCP 2.2
DP Compliance	Display Port 1.2a
Video Bandwidth	USB-C: 5.4 Gbps and HDMI: 18 Gbps
Video Resolution	480i~1080p50/60Hz, 4Kx2K@24/30Hz, 4k2k@60Hz
Color Space	RGB, YCbCr 4:4:4 / 4:2:2, YUV 4:2:0
Color Depth	8/10/12-bit (1080P@60Hz) 8-bit (4K@60Hz)
HDR	Support
HDMI Audio Formats	Dolby Atmos, TrueHD, Digital+, Digital; DTS X, HD Master Audio, HD High Resolution Audio, 5.1; PCM 2-8Ch
Transmission Distance (Max 1080P)	230ft / 70m over CAT6/6a/7
Transmission Distance (Max 4K)	131ft / 40m over CAT6/6a/7
ESD Protection	Human body model — ±8kV (Air-gap discharge) & ±4kV (Contact discharge)

Mechanical

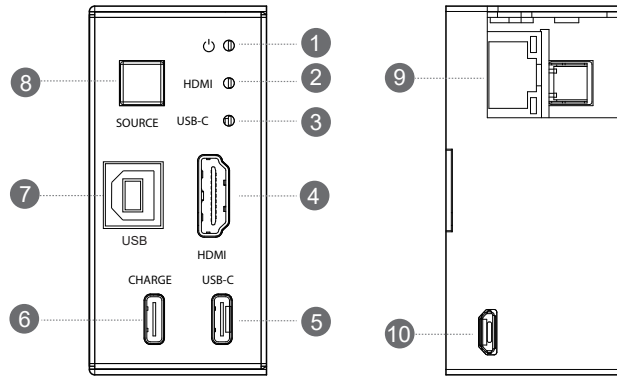
Housing	Metal Enclosure
Silkscreen Color	White
Transmitter Dimensions	33.3mm [W] x 65.7mm [D] x 68.7mm [H]
Faceplate Dimensions	69.9mm [W] x 3mm [D] x 114.3mm [H]
Receiver Dimensions	200mm [W] x 102.8mm [D] x 22mm [H]
Transmitter Weight	196g
Receiver Weight	511g
Power Supply	POE (only from Receiver to Transmitter)
Power Consumption	Wall plate: 9W (Max), Receiver: 11W (Max)
Operation Temperature	32 - 104°F / 0 - 40°C
Storage Temperature	-4 - 140°F / -20 - 60°C
Relative Humidity	20~90% RH (non-condensing)

HDBaseT Transmitter/Receiver with HDMI and USB-C

Part Number:	EHB-260
Revision Number:	2
Date:	02-07-23
Page Number:	2 of 4

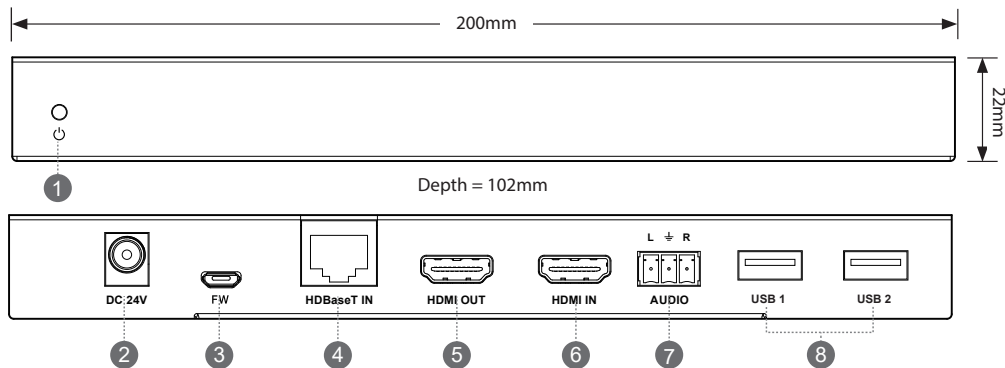
TECHNICAL SPECIFICATION

EHB-260-W



Transmitter

1. Power LED
2. HDMI LED
3. USB-C LED
4. HDMI Port
5. USB-C Port
6. Charge Port
7. USB-B Port
8. Source Button
9. HDBaseT Out
10. Firmware Update Port



Receiver

1. Power LED
2. DC 24V
3. Firmware Update Port
4. HDBaseT In
5. HDMI Out
6. HDMI In
7. Audio Out
8. USB ports for KVM function

HDBaseT Transmitter/Receiver with HDMI and USB-C

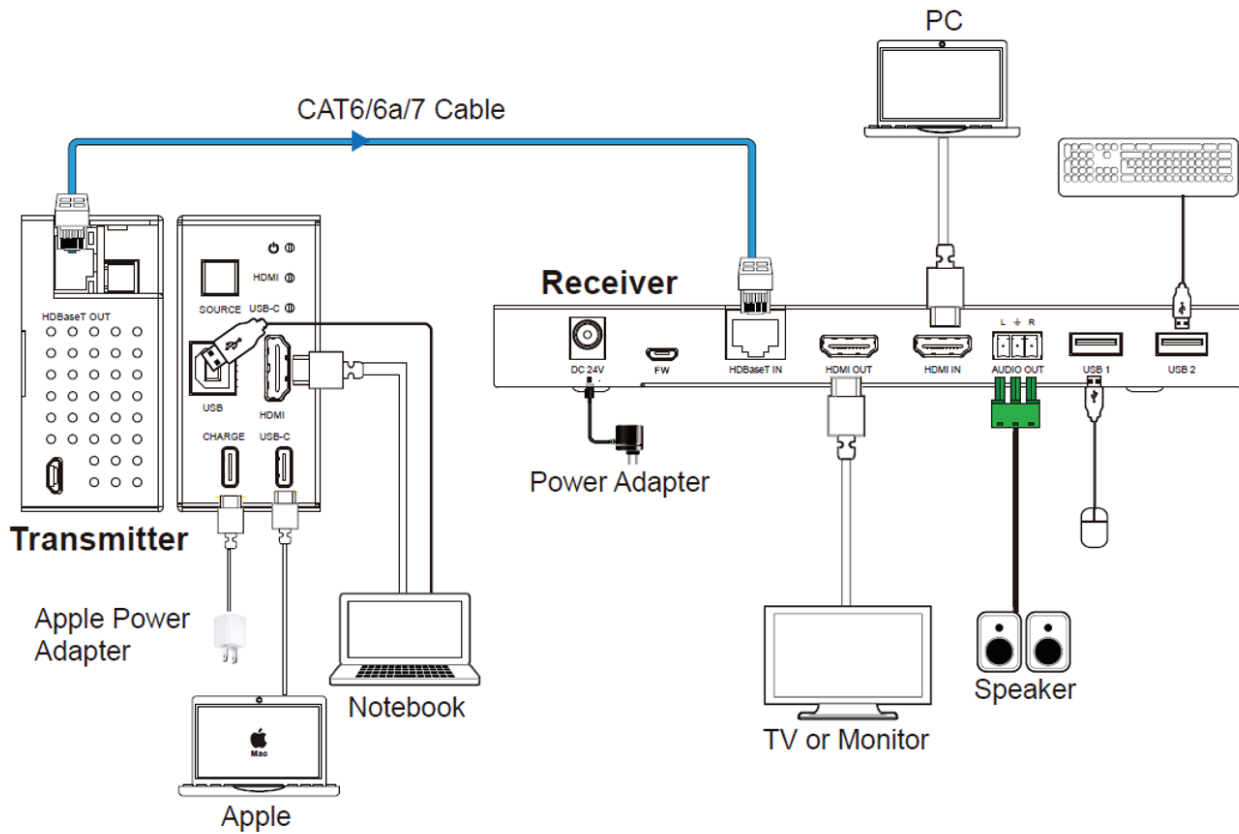
Part Number:	EHB-260
Revision Number:	2
Date:	02-07-23
Page Number:	3 of 4

1723 W. 4th Street Tempe Arizona 85281
 P: 800.638.6104 | F: 480.966.6728 | E: sales@covid.com | www.covid.com

TECHNICAL SPECIFICATION EHB-260-W



Application Example



HDBaseT Transmitter/Receiver with HDMI and USB-C

Part Number:	EHB-260
Revision Number:	2
Date:	02-07-23
Page Number:	4 of 4