

# TECHNICAL SPECIFICATION

## HD2-USBAB-XX



**Description:** HDMI 4K and USB 2.0 Combination Cable

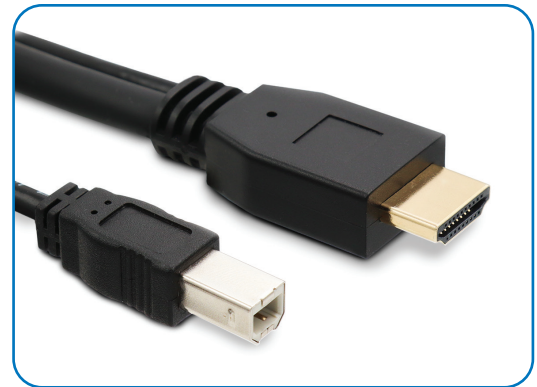
**Why This Product?** Unique combination of HDMI and USB cable offers connectivity using a single cable for multiple devices.

### Key Features

- Non-Plenum
- Durable, Molded Connectors
- Cable lengths available in 6, 10, and 15 foot

### Key Features HDMI

- Resolutions Up To 2160p@60Hz (4K - 18G)
- Male to Male Configuration
- Gold Plated Connectors



### Key Features USB

- USB A-Male to USB B-Male
- USB 2.0 Compliant
- Supports High Speed, 480 Mbps
- PC and Mac Compatible
- Backwards Compatible with USB 1.0 and 1.1 standards



HDMI 2.0/USB 2.0 Type A to Type B Cable  
Non-Plenum

|                  |              |
|------------------|--------------|
| Part Number:     | HD2-USBAB-XX |
| Revision Number: | 1            |
| Date:            | 06/11/2021   |
| Page Number:     | 1 of 3       |

1723 W. 4th Street Tempe Arizona 85281  
P: 800.638.6104 | F: 480.966.6728 | E: sales@covid.com | www.covid.com

Disclaimer: Conditions of use may vary. Information is subject to change without notice.

# TECHNICAL SPECIFICATION

## HD2-USBAB-XX



### Technical Specifications - General

|                                     |                            |
|-------------------------------------|----------------------------|
| Cable Jacket .....                  | PVC, Black                 |
| Connector Hood .....                | Over-mold, Black           |
| Outer Diameter .....                | 0.275" (7mm)               |
| Minimum Bend Radius .....           | 1.57" (40mm)               |
| Max Tensile .....                   | 10 kgf                     |
| Operation/Storage Temperature ..... | -10°C~+75°C / 14°F ~ 167°F |
| Operation Humidity .....            | 50%~75%                    |
| Available Lengths .....             | 6, 10, and 15ft            |
| Compliances .....                   | RoHS, Type CMR             |

### Technical Specifications - HDMI

|   |  |
|---|--|
| Protocol .....                          | HDMI 2.0                               |
| Connectors .....                        | HDMI, 19 pin, male, overall AU plating |
| Cable Conductors .....                  | 32 AWG*5P (STP)+4C                     |
| Overall Shield .....                    | Copper foil with adhesive backing      |
| Number of Connector Mating Cycles ..... | 10,000 cycles                          |

### Technical Specifications - USB

|   |                  |
|---|------------------|
| Protocol .....                          | USB 2.0          |
| Input Connector .....                   | USB A Male       |
| Output Connector .....                  | USB B Male       |
| Number of Connector Mating Cycles ..... | 1,500 cycles min |



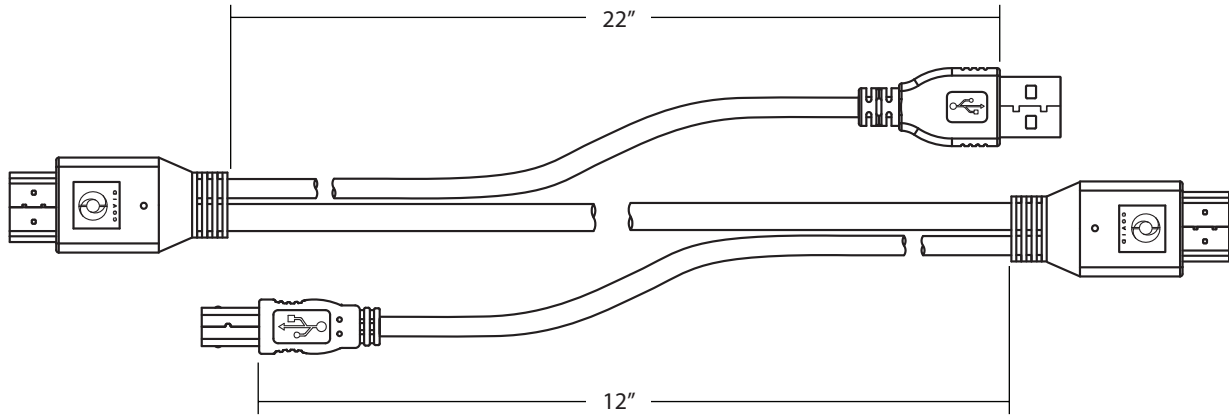
### HDMI 2.0/USB 2.0 Type A to Type B Cable

Non-Plenum

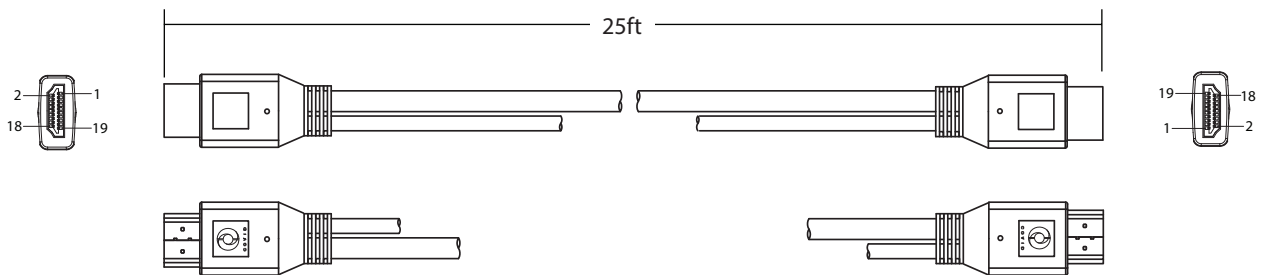
|                  |              |
|------------------|--------------|
| Part Number:     | HD2-USBAB-XX |
| Revision Number: | 1            |
| Date:            | 06/11/2021   |
| Page Number:     | 2 of 3       |

# TECHNICAL SPECIFICATION

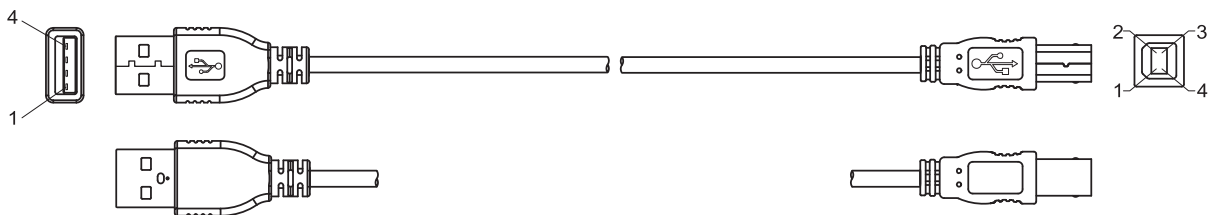
## HD2-USBAB-XX



### HDMI Details



### USB Details



HDMI 2.0/USB 2.0 Type A to Type B Cable  
Non-Plenum

|                  |              |
|------------------|--------------|
| Part Number:     | HD2-USBAB-XX |
| Revision Number: | 1            |
| Date:            | 06/11/2021   |
| Page Number:     | 3 of 3       |

1723 W. 4th Street Tempe Arizona 85281  
P: 800.638.6104 | F: 480.966.6728 | E: sales@covid.com | www.covid.com