

TECHNICAL SPECIFICATION



MC-VGAA-XXM

Description: SLIM LINE VGA Cable with 3.5mm Audio, Distance up to 25 Feet, Non-Plenum

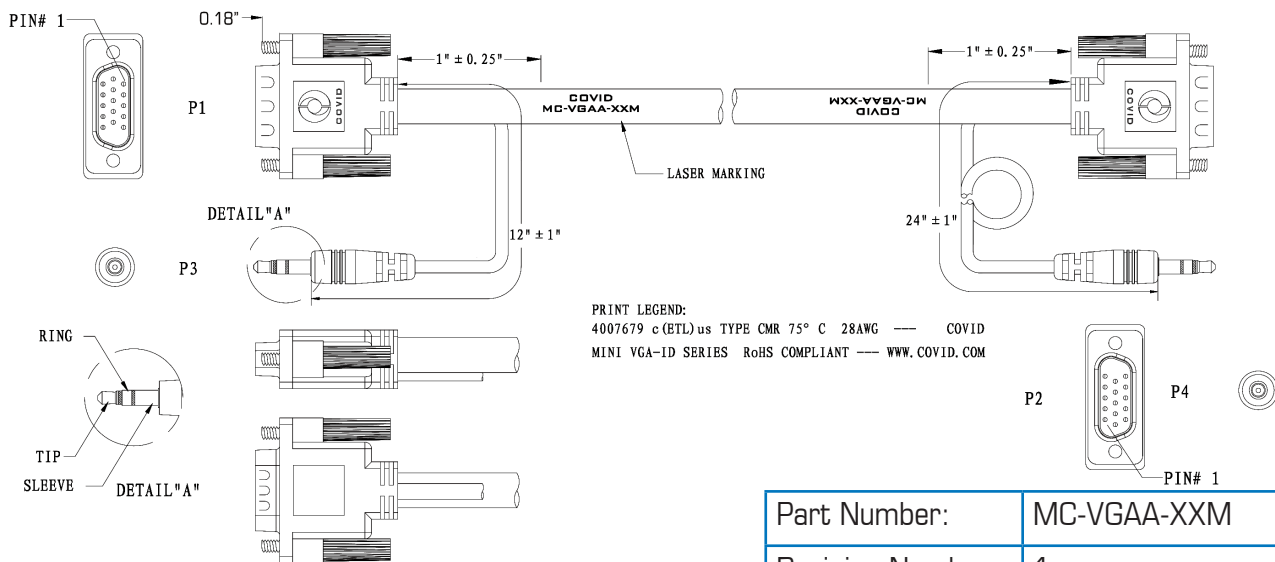
Why This Cable?

This cable utilizes a smaller gauge size allowing for a tighter bend radius, ease of installation and is overall much more flexible compared to other standard VGA cables.

Technical Specification



Connectors: 15Pin D-Sub Male & 3.5mm Audio Plug
Connector Hood: Over-Mold, Black
Cable Jacket: PVC, Black
Cable Conductors: VGA: 32 AWG*5C Coaxial+30 AWG*8C+28AWG*1P | Audio: 28AWG*2C
Outer Diameter: VGA: 0.25" | Audio: 0.12"
Minimum Bend Radius: 2.5"
Maximum Tensile: 5 kgf
Operating/Storage Temperature: -10°C ~ + 75°C
Operating Humidity: 50% ~ 75%
Number of Connector Mating Cycles: 100
Compliances: RoHS, EDID, Type CMR
Available Lengths: 3', 6', 10', 15', 25'



Slim Line VGA Cable/3.5mm Audio - EDID Compliant
 Non-Plenum

Part Number:	MC-VGAA-XXM
Revision Number:	1
Date:	2-1-2018
Page Number:	1 of 1

1723 W. 4th Street Tempe Arizona 85281

P: 800.638.6104 | F: 480.966.6728 | E: sales@covid.com | www.covid.com