



ASSEMBLY INSTRUCTION

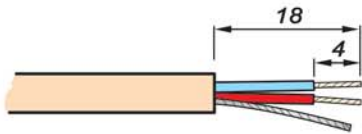
NC*FXX & NC*MXX | XLR Cable Connector

Ⓐ



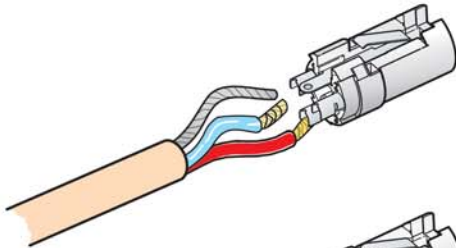
Ⓐ Slide the boot onto the cable.

Ⓑ



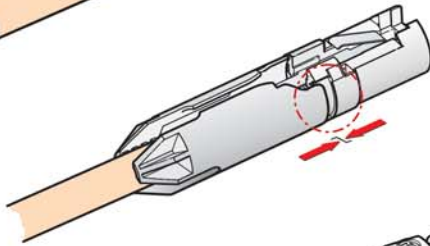
Ⓑ Prepare cable as shown.

Ⓒ



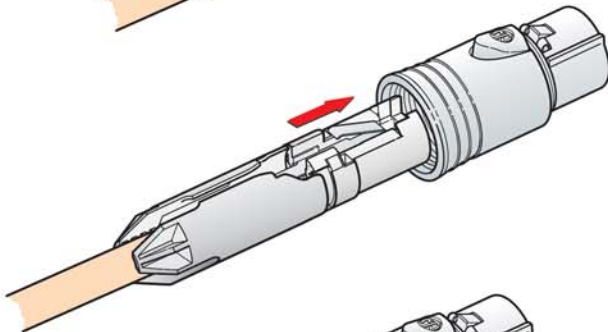
Ⓒ Insert wires into the terminals and solder them.

Ⓓ



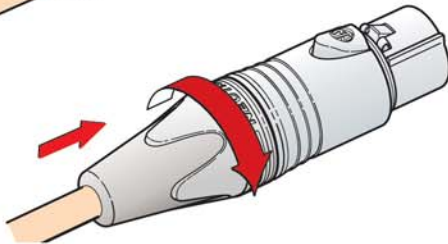
Ⓓ Put chuck onto the cable.
Attention: Pay attention to the guiding key.

Ⓔ



Ⓔ Slide insert and chuck together into the housing.

Ⓕ



Ⓕ Finish the installation by turning the bushing onto the connector.

ORDER OF ASSEMBLY

NC*FXX



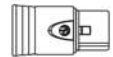
bushing



chuck



insert



housing

NC*MXX



1723 W. 4th Street Tempe Arizona 85281

P: 800.638.6104 | F: 480.966.6728 | E: sales@covid.com www.covid.com