



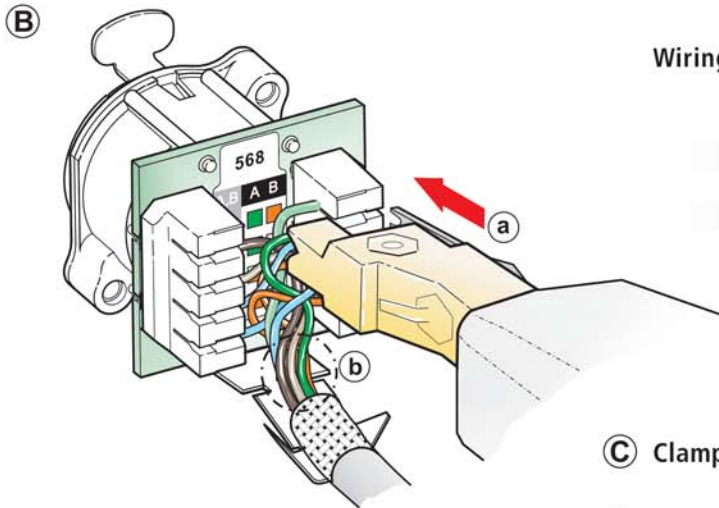
ASSEMBLY INSTRUCTION

etherCON | Ruggedized RJ45 Data Connector Chassis type with cable termination



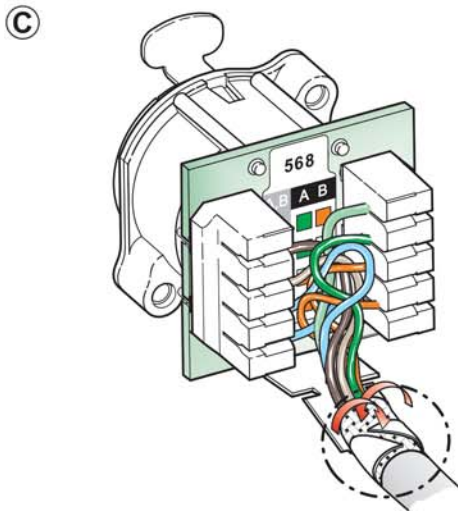
A Strip cable according to figure.

- B** **a** Terminate the wires with proper punch-down tool.
 - Krone tool for NE8FAV-YK
 - 110-tool for NE8FAV-Y110
- b** Take care that the untwisting of pairs does not exceed 13 mm.




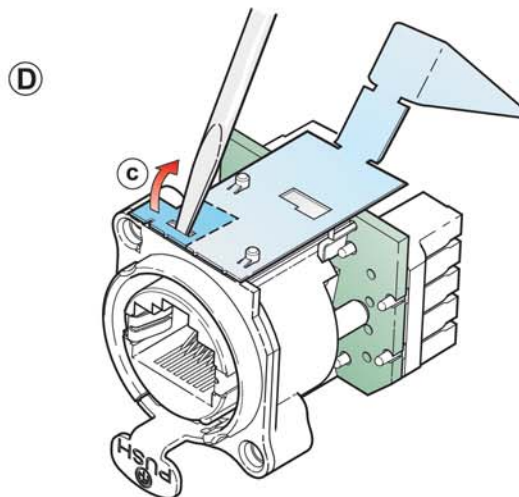
Wiring:

		568		TIA 568A		TIA 568B	
#	A, B	A	B	#		#	
7	Wi/Br	Gr	Wi/Br	2	Or		
8	Br	Wi/Gr	Br	1	Wi/Or		
5	Wi/Bl	Wi/Or	Wi/Bl	3	Wi/Gr		
4	Bl	Or	Bl	6	Gn		



C Clamp cable shield onto shield plate.

D For isolated applications (no connection between shield and front panel) please remove precut piece .



1723 W. 4th Street Tempe Arizona 85281

P: 800.638.6104 | F: 480.966.6728 | E: sales@covid.com www.covid.com