



# ASSEMBLY INSTRUCTION

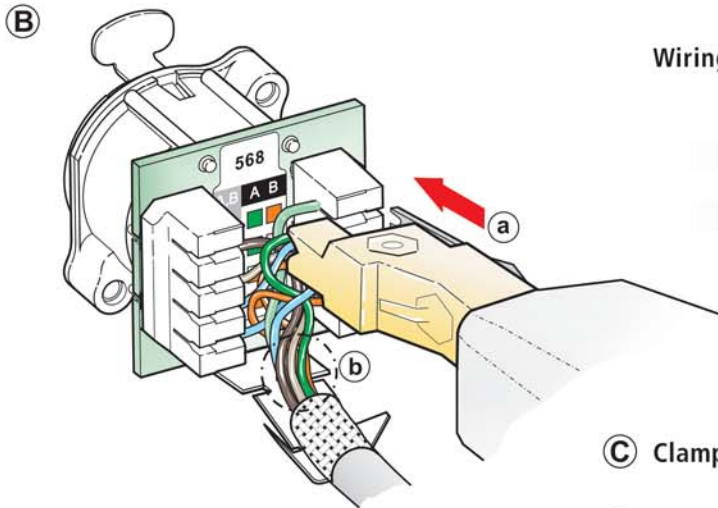
## etherCON | Ruggedized RJ45 Data Connector

### Chassis type with cable termination



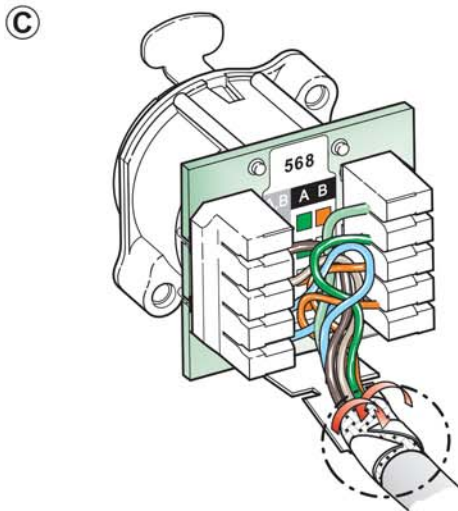
**A** Strip cable according to figure.

- B**
- a) Terminate the wires with proper punch-down tool.
    - Krone tool for NE8FAV-YK
    - 110-tool for NE8FAV-Y110
  - b) Take care that the untwisting of pairs does not exceed 13 mm.



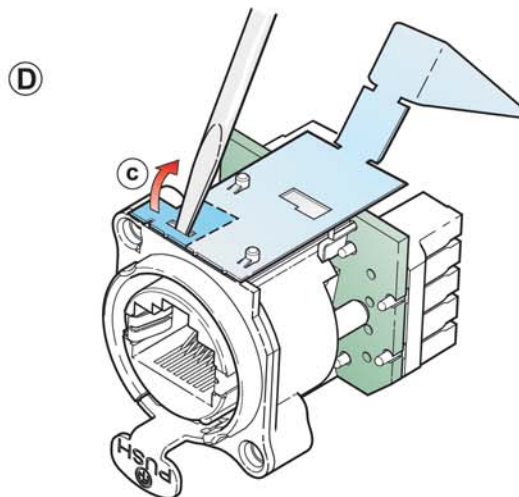
Wiring:

		TIA 568A		TIA 568B	
#	A, B	A	B	#	
7	Wi/Br	Gr	Wi/Br	Or	
8	Br	Wi/Gr	Br	Wi/Or	
5	Wi/Bl	Wi/Or	Wi/Bl	Wi/Gr	
4	Bl	Or	Bl	Gn	



**C** Clamp cable shield onto shield plate.

**D** For isolated applications (no connection between shield and front panel) please remove precut piece .



1723 W. 4th Street Tempe Arizona 85281

P: 800.638.6104 | F: 480.966.6728 | E: sales@covid.com www.covid.com