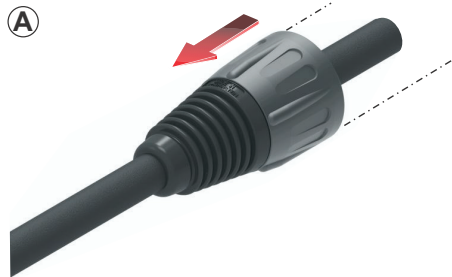




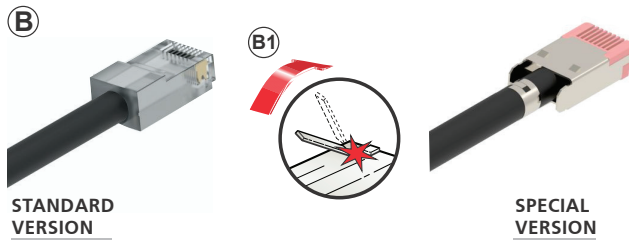
# ASSEMBLY INSTRUCTION

## etherCON® | NE8MX-1 & NE8MX-B-1

### Ruggedized RJ45 Data Cable Connector Carrier

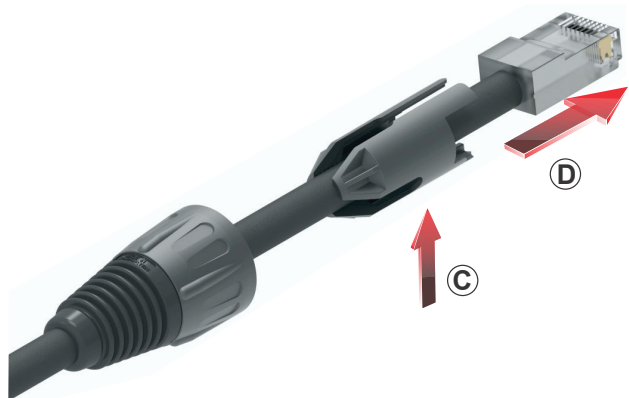


Ⓐ Slide the bushing over the cable.

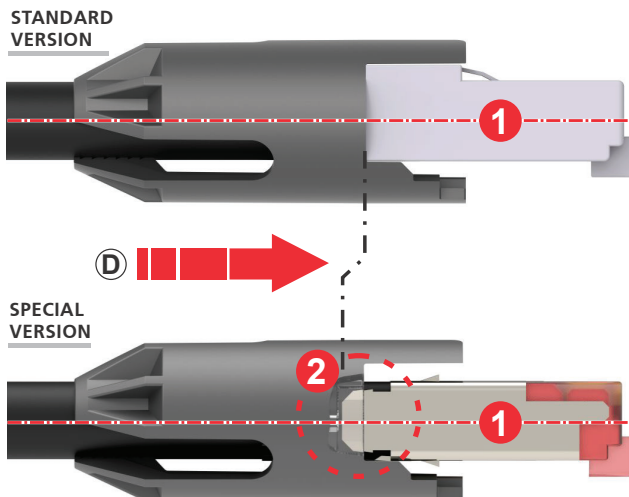


Ⓑ Assemble the RJ45 plug on the cable.

Ⓑ1 Cut off the release tab of RJ45 plug.



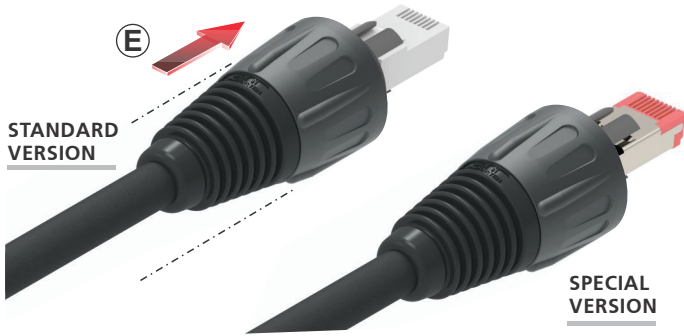
Ⓒ Put the chuck onto the cable.  
Align the opening with the contact side.



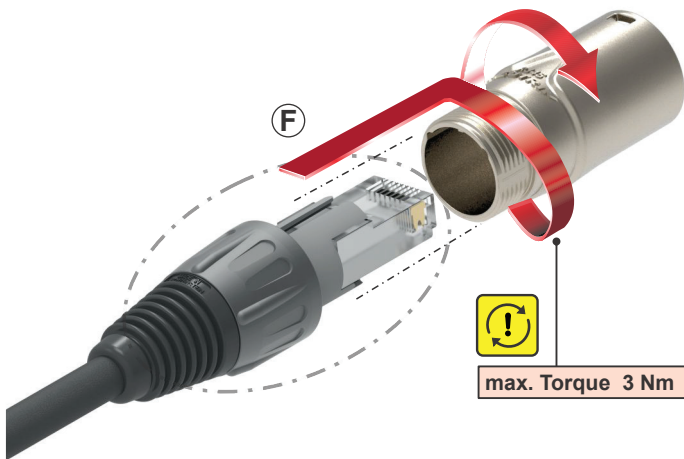
Ⓓ Position the RJ45 in the chuck.

#### Attention:

- 1 RJ45 must be straight.
- 2 Special versions must engage in the inner recess of the chuck.



**E** Position the bushing onto the chuck.



**F** Slide the unit (insert and boot) into the housing and tighten the bushing with max. torque 3 Nm (2.2 lb-ft).



**G** CAUTION:

There is no overlap allowed.

FINISHED etherCON® NE8MX-1:



Find more etherCON® details on [www.neutrik.com](http://www.neutrik.com).

