

TECHNICAL SPECIFICATION P-U31A-AC



Description: Active USB 3.2 Type A-Male to Type C-Male, Distances up to 75ft, Plenum

Why This Product? This high speed USB extender cable enhances signal quality and supports up to 10Gbps data rate. With metal connectors, these cables are built-to-last providing 200 newtons of tensile strength and a 1000 kg crush load.

Key Features

- Plenum
- Supports 10 Gbps data rate
- USB A-Male to USB C-Male
- USB 3.2 Gen 2 compliant with backward compatibility
- Available lengths, 25, 35, 50 and 75ft
- Plug and play, no additional drivers required
- Durable, metal connectors
- Unidirectional cable, source and device connectors are color coded for easy identification
- Ships with Covid's Spearhead Pull System



USB 3.2 Cable USB Type-A to USB Type-C

Part Number:	P-U31A-AC
Revision Number:	1
Date:	01-20-2021
Page Number:	1 of 2

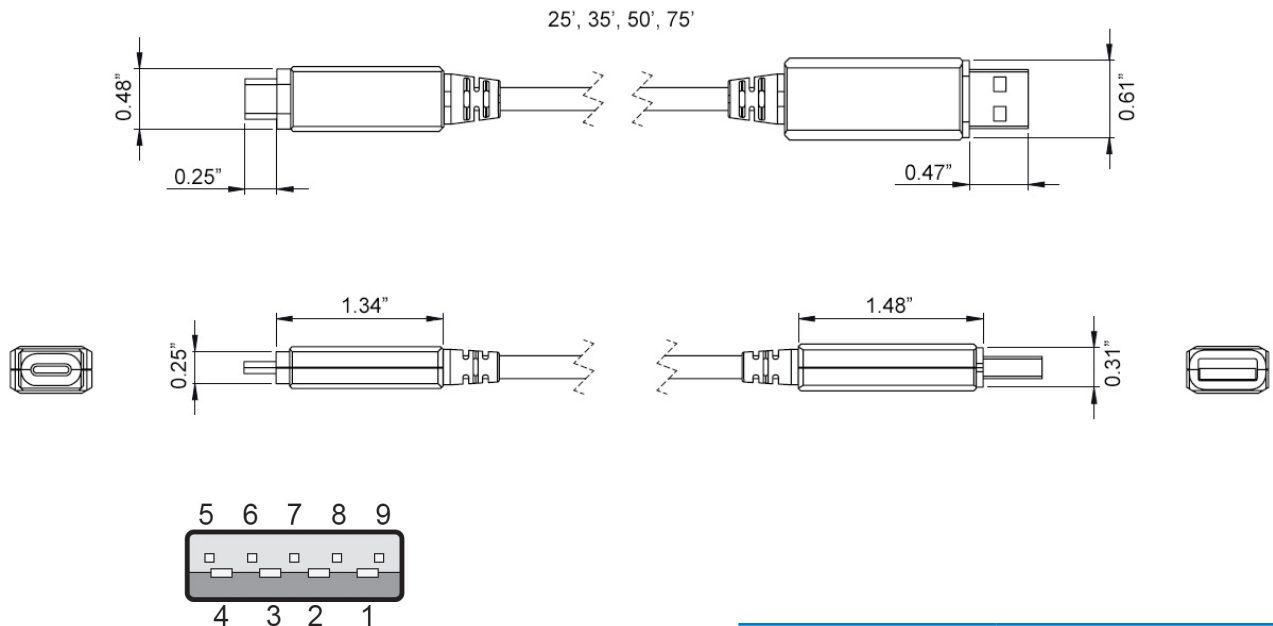
TECHNICAL SPECIFICATION

P-U31A-AC



Technical Specifications

Protocol	USB 3.2
Input Connector	USB A male
Output Connector	USB C male
Cable Lengths	25ft, 35ft, 50ft, 75ft
Data Rate	10 Gbps
Copper Wire.....	22AWG and 24AWG
Max Power	Up to 1.5w
Optical Fiber	Multi-Mode
Outer Diameter	0.21" (5.4mm)
Minimum Bend Radius	2.36" (60mm)
Operation Temperature	-0°C~+50°C / 32°F ~ 122°F
Storage Temperature	-10°C~+70°C / 14°F ~ 158°F
Operation Humidity	0%~85% RH
Protection	EMI (Eletromagnetic Interference)
Compliances	RoHS
Jacket Color	Black



Part Number:	P-U31A-AC
Revision Number:	1
Date:	01-20-2021
Page Number:	2 of 2

USB 3.2 Cable USB Type-A to USB Type-C

1723 W. 4th Street Tempe Arizona 85281
P: 800.638.6104 | F: 480.966.6728 | E: sales@covid.com | www.covid.com