

# TECHNICAL SPECIFICATION

## P-U31A-AC

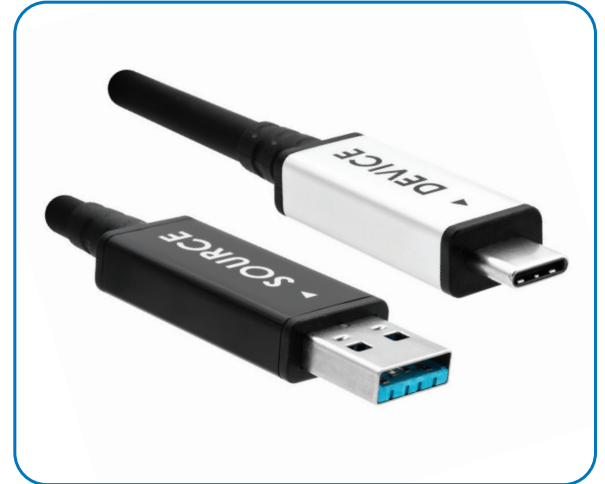


**Description:** USB 3.2 Gen 2 Active Optical Cable

**Why Use This Product:** This USB cable is a fiber-copper hybrid which allows for an enhanced signal at longer distances. It supports long lengths up to 75ft, with speeds up to 10Gbps.

### Key Features

- Plenum
- USB 3.2 Gen 2 | 10Gbps
- USB A-Male to USB C-Male (directional)
- Active Optical Cable (Fiber-Copper Hybrid)
- Supports Isochronous mode
- Backward compatible with USB 3.0, 2.0, 1.1, and 1.0
- Ships with Covid's Spearhead Pull System
- Unidirectional cable, source and device connectors are color coded for easy identification
- Heavy duty, metal connectors



### Power Capabilities Per Length

- 25ft Cable.....2.0 watts
- 35ft Cable.....2.0 watts
- 50ft Cable.....1.5 watts
- 75ft Cable.....1.0 watts



### USB 3.2 Gen 2 Active Optical Cable Plenum

|                  |           |
|------------------|-----------|
| Part Number:     | P-U31A-AC |
| Revision Number: | 3         |
| Date:            | 4-9-2024  |
| Page Number:     | 1 of 2    |

1723 W. 4th Street Tempe Arizona 85281  
P: 800.638.6104 | F: 480.966.6728 | E: sales@covid.com | www.covid.com

Disclaimer: Conditions of use may vary. Information is subject to change without notice.

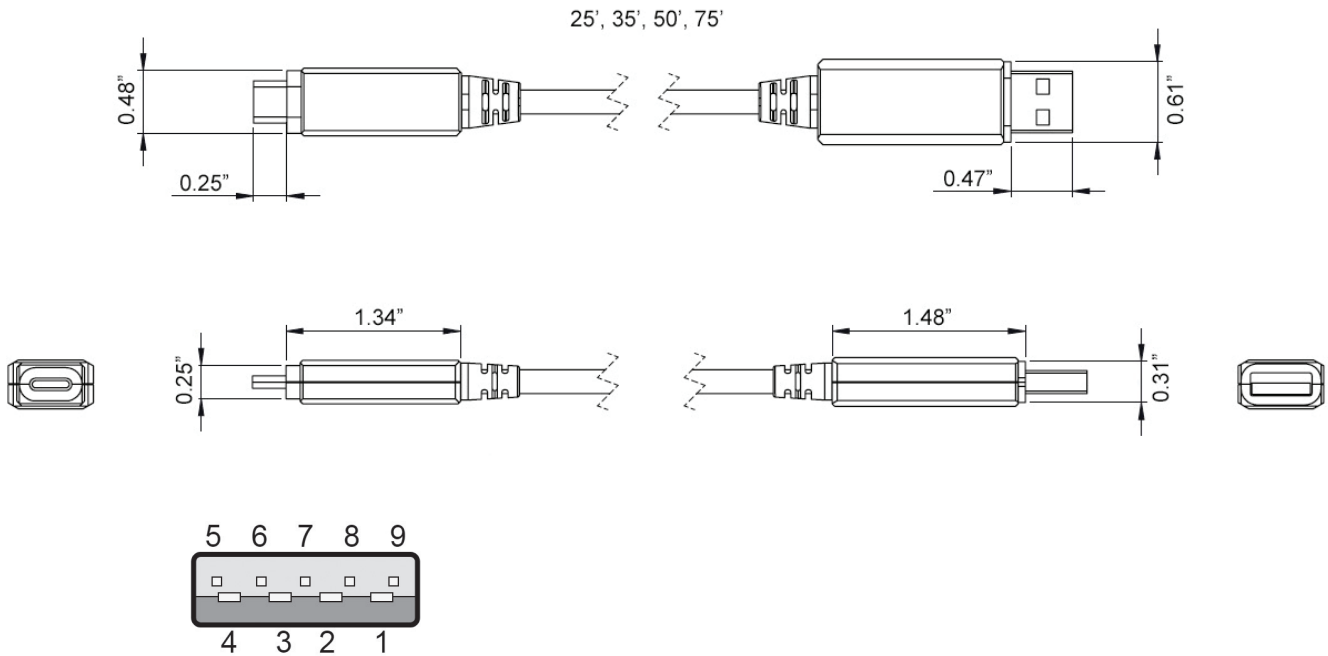
# TECHNICAL SPECIFICATION

## P-U31A-AC



### Technical Specifications

|                                    |  |
|------------------------------------|--|
| Protocol.....                      | USB 3.2 Gen 2  |
| Data Rate.....                     | 10Gbps   |
| Input Connector.....               | USB A Male   |
| Output Connector.....              | USB C Male   |
| Cable Material.....                | Fiber-Copper Hybrid  |
| Power Capabilities.....            | 25ft ( <b>2.0W</b> ), 35ft ( <b>2.0W</b> ), 50ft ( <b>1.5W</b> ), 75ft ( <b>1.0W</b> ) |
| Cable Jacket.....                  | CMP  |
| Cable Conductors.....              | 24 AWG*1P+22 AWG*2C  |
| Outer Diameter.....                | 5.4mm  |
| Minimum Bend Radius.....           | 60mm   |
| Operating/Storage Temperature..... | -10°C ~ + 75°C   |
| Operating Humidity.....            | 50% ~ 70%  |
| Available Lengths.....             | 25ft, 35ft, 50ft, 75ft   |
| Compliances.....                   | RoHS   |



### USB 3.2 Gen 2 Active Optical Cable Plenum

|                  |           |
|------------------|-----------|
| Part Number:     | P-U31A-AC |
| Revision Number: | 3         |
| Date:            | 4-9-2024  |
| Page Number:     | 2 of 2    |

1723 W. 4th Street Tempe Arizona 85281  
P: 800.638.6104 | F: 480.966.6728 | E: sales@covid.com | www.covid.com