

TECHNICAL SPECIFICATION USB3A-AF.ACT

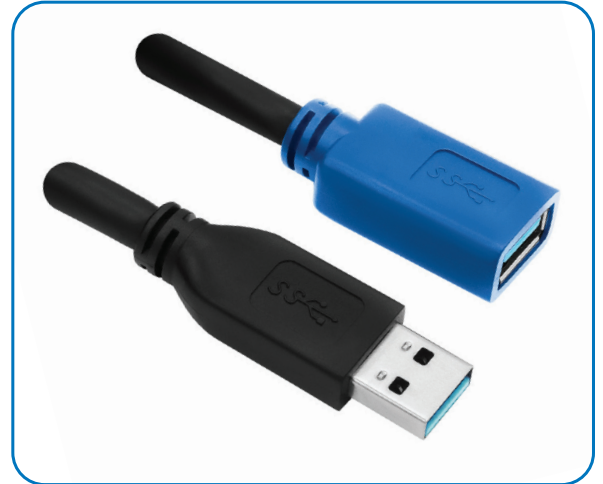


Description: USB 3.2 Gen 1 Active Extender Cable

Why Use This Product: This USB cable has a built-in active chipset that enhances signal quality at longer distances. It supports long lengths up to 50ft, with speeds up to 5Gbps.

Key Features

- Non-Plenum
- USB 3.2 Gen 1 | 5Gbps
- USB A-Male to USB A-Female (directional)
- Active Cable (built-in signal boosting circuitry)
- Supports Isochronous mode
- Backward compatible with USB 3.0, 2.0, 1.1, and 1.0
- No external power required (pulls power from source)
- Ships with Covid Spear-Head Pull System
- Directional cable is color coded on source and display ends for ease of installation
- 16ft cables ship with different form factor



Power Capabilities Per Length

- 16ft Cable.....4.1 watts
- 25ft Cable.....4.0 watts
- 35ft Cable.....3.8 watts
- 50ft Cable.....3.3 watts

USB 3.2 Gen 1 Active Extender Cable
Non-Plenum Riser

Part Number:	USB3A-AF.ACT
Revision Number:	3
Date:	4-9-2024
Page Number:	1 of 2

1723 W. 4th Street Tempe Arizona 85281
P: 800.638.6104 | F: 480.966.6728 | E: sales@covid.com | www.covid.com

Disclaimer: Conditions of use may vary. Information is subject to change without notice.

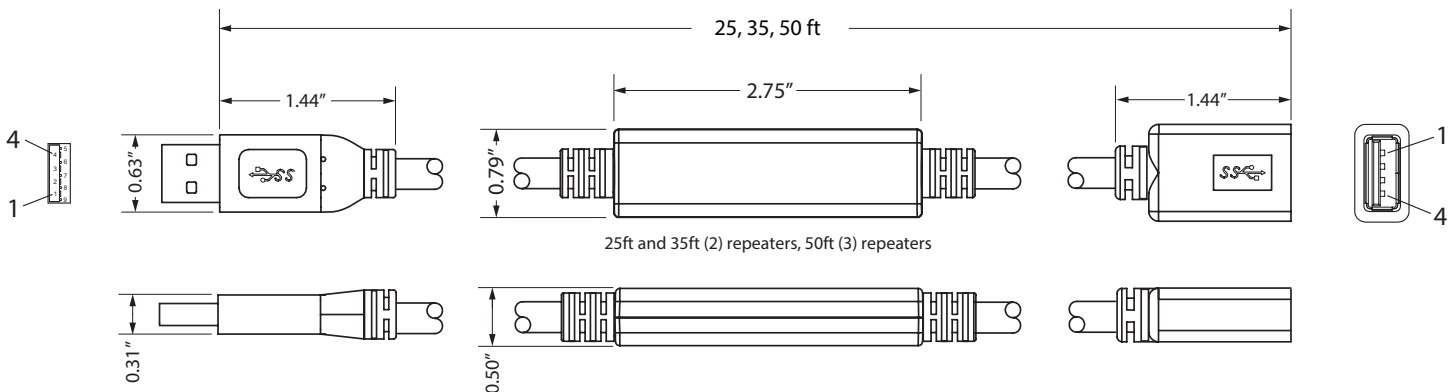
TECHNICAL SPECIFICATION

USB3A-AF.ACT



Technical Specifications

Protocol.....	USB 3.2 Gen 1
Data Rate.....	5Gbps
Input Connector.....	USB A Male
Output Connector.....	USB A Female
Number of Repeaters.....	25ft (1), 35ft (2), 50ft (3)
Power Capabilities.....	16ft (4.1W), 25ft (4W), 35ft (3.8W), 50ft (3.3W)
Cable Jacket.....	CMR
Cable Conductors.....	24AWG*2P + 26AWG*1P + 22AWG*2C
Outer Diameter.....	7.0mm
Minimum Bend Radius.....	70mm
Operating/Storage Temperature.....	-10°C ~ +75°C
Operating Humidity.....	50% ~ 70%
Available Lengths.....	16ft, 25ft, 35ft, 50ft
Compliances.....	RoHS



Latency

Length	Mininum	Maximum
25ft	80 μs	120 μs
35ft	80 μs	120 μs
50ft	120 μs	180 μs

Part Number:	USB3A-AF.ACT
Revision Number:	3
Date:	4-9-2024
Page Number:	2 of 2

USB 3.2 Gen 1 Active Extender Cable

Non-Plenum Riser

1723 W. 4th Street Tempe Arizona 85281
P: 800.638.6104 | F: 480.966.6728 | E: sales@covid.com | www.covid.com